

MaxClean



Hygienic Flow Equipment

3A PVE Single Seat Valves



Semiconductor



Bio-Pharm



Hygienic



NEUMO | VNE | EGMO

NEUMO Ehrenberg Group



MaxClean
Part 611-XXXXX
Job 200XXXXXX
Model: XXXX-X-XX-X.XXX.X

Max. Air Pressure:
7.5 Bar/ 108.7 PSI
Min. Air Pressure:
5 Bar/ 72.5 PSI
Max Operating pressure
10 Bar

CAUTION:
Do Not Disassemble Actuator

NEUMO | VNE | EGMO
NEUMO Ehrenberg Group
Assembly Part 611-XXXXX
Assembly Job 200XXXXXX
NCO
Size: XX
Repair kit item num.: 624-00XXX

MaxClean
Part 611-XXXXX
Job 200XXXXXX
Model: XXXX-X-XX-X.XXX.X

Max. Air Pressure:
7.5 Bar/ 108.7 PSI
Min. Air Pressure:
5 Bar/ 72.5 PSI
Max Operating pressure
10 Bar

CAUTION:
Do Not Disassemble Actuator

NEUMO | VNE | EGMO
NEUMO Ehrenberg Group
Assembly Part 611-XXXXX
Assembly Job 200XXXXXX
NCO
Size: XX
Repair kit item num.: 624-00XXX

MaxClean
Part 611-XXXXX
Job 200XXXXXX
Model: XXXX-X-XX-X.XXX.X

Max. Air Pressure:
7.5 Bar/ 108.7 PSI
Min. Air Pressure:
5 Bar/ 72.5 PSI
Max Operating pressure
10 Bar

CAUTION:
Do Not Disassemble Actuator

NEUMO | VNE | EGMO
NEUMO Ehrenberg Group
Assembly Part 611-XXXXX
Assembly Job 200XXXXXX
NCO
Size: XX
Repair kit item num.: 624-00XXX

3A PVE Single Seat Valves

MaxClean Single Seat Valve for Sanitary Applications (Pneumatic / Manual Operation)

PVE valves are available in three configurations: pneumatically actuated, pneumatically actuated with an integrated electronic control top, and manually operated. These valves are commonly used in applications such as shut-off, divert, bottom tank outlet, and pressure relief.

Connection types include clamp and weld ends. Manufactured from AISI 316L stainless steel, EGMO's PVE valves comply with all 3A sanitary standards and are available in sizes ranging from ¾" to 4". The design features a unique, patent-pending sealing system.

Valve Series



Contents

Shut-off Valve.....	6
Divert Valve.....	13
Divert Closed Outlet Valve.....	22
Change-over Closed Outlet Valve.....	27
Pressure Relief Valve.....	28
Tank Bottom Valve.....	32
Control Top.....	36
Maximum Media Working Pressure*.....	42

3A PVE Features and Benefits

Standards



MaxClean

Part :611-XXXX
Job :XXXXXXXXXX
Model:PVEP-1-NC-XXX&XXX

Max.Air Pressure:
7.5 Bar/108.7 PSI
Min.Air Pressure:
5 Bar/ 72.5 PSI



Warning:
Depressurize before
handling / maintenance

NEUMO VNE EGMO
NEUMO Ehrenberg Group

Assembly Part :611-XXXX
Assembly Job :200XXXXXX
NC
Valve Size :x"
Repair kit item num.:624-00XXX

Robust and Durable

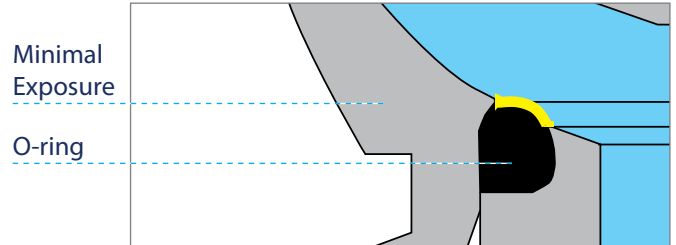
- ✓ The valve's unique design protects the O-ring from wear and contact with abrasive media, enhancing service life.
- ✓ Constructed from solid bar AISI 316L stainless steel for superior durability and optimal cleanability.
- ✓ Engineered with a heavy-duty design for demanding applications.

Smart Installation and Operation

- ✓ 360° adjustable actuator enables flexible installation in various configurations.
- ✓ Operation mode can be optionally switched from Normally Closed (NC) to Normally Open (NO).
(Refer to the Installation and Service Manual for details.)
- ✓ Suitable for shut-off, divert, and vessel outlet applications.
- ✓ One-piece stem design ensures optimal sterility.
- ✓ Internal surface finish of $\leq 32 \mu\text{m Ra}$ for hygienic performance.
- ✓ Complete drainage design with no dead legs.
- ✓ Optional proximity switches can be installed by the customer.
- ✓ Weld ends are compatible with both manual and orbital welding techniques.
- ✓ Air Pressure Requested for the actuator: Min 72.5 PSI (5 Bar) - Max 108.7 PSI (7.5 Bar)

Optimal CIP (Clean-In-Place) Cleaning

- ✓ Spherical body design and smooth surfaces eliminate dead spaces, ensuring thorough cleaning.
- ✓ O-ring is securely seated within the valve to minimize exposure to the process media.



Cost-Effective Maintenance

- ✓ Top and bottom valve components are identical (except for 3/4" and 1" sizes), reducing spare parts inventory and simplifying maintenance.
- ✓ Features a unique, patent-pending sealing system that uses standard O-rings for easy and economical replacement.



NC and NO Operation Modes in a Single Actuator

- ✓ **Normally Closed (NC):** The valve remains closed when de-energized and opens when power is applied.
- ✓ **Normally Open (NO):** The valve remains open when de-energized and closes when power is applied.
- ✓ **This dual functionality is made possible by the actuator's mounting position**, rotating the actuator (e.g., 180°) changes its default operation from NC to NO or vice versa.



Features and Benefits

- ✓ **Versatility:** A single actuator can be configured for both NC and NO operation, reducing inventory requirements and increasing design and installation flexibility.
- ✓ **Cost Efficiency:** No need to stock or specify separate actuators for different operation modes, streamlining procurement and lowering maintenance costs.
- ✓ **Simplified Maintenance and Installation:** Standardizing on one actuator design minimizes training needs and the risk of installation errors.
- ✓ **Fail-Safe Capability:** Configurable fail-safe positions enhance safety and support compliance with process regulations.

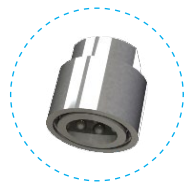


3A PVE - Shut-off Valve

Designed for Opening and Closing the Fluid Path

- ✓ Spherical body design ensures zero dead leg for optimal hygiene.
- ✓ Simple maintenance with easily replaceable standard O-rings.
- ✓ Quick and easy switch between NC and NO fail-safe positions.
- ✓ Clamp connection between valve components allows easy assembly and disassembly.
- ✓ Available with butt weld or clamp end connections.
- ✓ Minimal gasket exposure reduces the risk of contamination.
- ✓ Visual bleeding hole enables easy leak detection.
- ✓ Hygienic design suitable for sanitary applications.

N/C or N/O operation mode in one actuator



Quick Disconnect Coupling
(Optional)

Robust, ball-shaped body made of AISI 316L
stainless-steel (made from full bar)

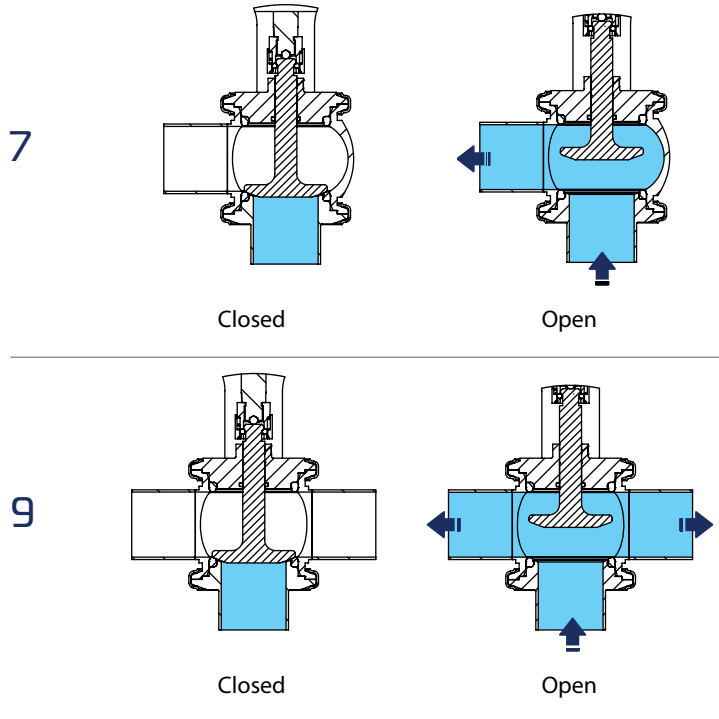
Static O-ring to minimize wear and erosion

Minimal exposure of the O-ring to the flow

Optimum CIP cleaning due to ball shape and surfaces -
no dead spaces



Configuration and Flow direction options



How To Order

E G P V E - 7 - N C - 1 . 0 - V - A S I - Q

Valve Type Valve Configuration Actuation Type Size Seals Control Top Coupling Type

Type Connection	Valve Configuration	Actuation Type	Size	Seals	Control Top *	Coupling Type
EGPVE - CLAMP EPVE - WELD	7 - Shut Off 9 - Cross Shut Off	NC NO MAN ****	0.75 1.0 1.5 2.0 2.5 3.0 4.0	EPDM - is the Default *** V - Viton, Optional	ASI 24V 1IPS - One Inductive Proximity Switch ** 2IPS - Two Inductive Proximity Switch ** (Proximity Switch Diameter 12mm) I/O Link **	Stem coupling - is the default Q - Quick Disconnect

* See page 36 for Control Tops details

** I/O Link is Optional, also the Proximity switches that are by Customer

*** Stem O-ring in 0.75" and 1.0" are only Viton

**** Manual Handle to be used only with #4 PVEP-4-ALL Quick Disconnect Coupling

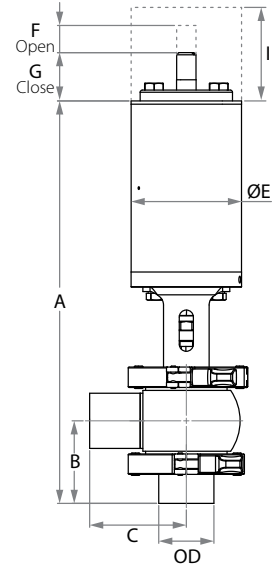


3A PVE Shut-Off Valve Dimensions

Weld Ends (7)

Size/OD		Name	Item	A	B	C	E	G	F
¾" (19.05)	Epdm	EPVE-7-NC-0.75	611-02748	10.13"	2.22"	2.6"	2.76"	1.34"	0.27"
	Viton	EPVE-7-NC-0.75-V	611-02768	(257.5)	(56.4)	(66.2)	(70.0)	(34.2)	(6.8)
1" (25.4)	Epdm	EPVE-7-NC-1.0	611-03935	10.04"	2.00"	2.00"	2.76"	1.26"	0.34"
	Viton	EPVE-7-NC-1.0-V	611-03943	(255.1)	(50.8)	(50.8)	(70)	(32.2)	(8.8)
1.5" (38.1)	Epdm	EPVE-7-NC-1.5	611-03947	13.66"	2.24"	2.76"	4.00"	1.75"	0.7"
	Viton	EPVE-7-NC-1.5-V	611-03955	(347)	(57)	(70)	(101.6)	(44.5)	(17.9)
2" (50.8)	Epdm	EPVE-7-NC-2.0	611-03959	14.57"	3"	3.5"	4.00"	1.75"	0.7"
	Viton	EPVE-7-NC-2.0-V	611-03967	(370.0)	(76.2)	(89.0)	(101.6)	(44.5)	(18.0)
2.5" (63.5)	Epdm	EPVE-7-NC-2.5	611-03971	16.38"	3"	3.5"	5.08"	1.6"	1.46"
	Viton	EPVE-7-NC-2.5-V	611-03979	(416.0)	(76.2)	(89.0)	(129)	(40.8)	(37.2)
3" (76.2)	Epdm	EPVE-7-NC-3.0	611-03983	17.05"	3.27"	3.74"	5.08"	1.52"	1.54"
	Viton	EPVE-7-NC-3.0-V	611-03991	(433.0)	(83.0)	(95.0)	(129)	(38.7)	(39.3)
4" (101.6)	Epdm	EPVE-7-NC-4.0	611-00499	21.42"	5"	4.92"	6.61"	1.65"	1.26"
	Viton	EPVE-7-NC-4.0-V	611-00887	(544.0)	(127)	(125)	(168)	(42)	(32)

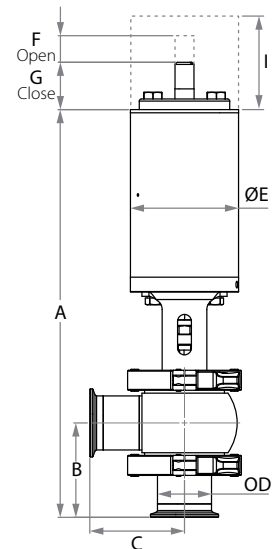
I = Control Height 188 mm



Clamp Ends (7)

Size/OD		Name	Item	A	B	C	E	G	F
¾" (19.05)	Epdm	EGPVE-7-NC-0.75	611-02758	10.13"	2.22"	2.6"	2.76"	1.34"	0.27"
	Viton	EGPVE-7-NC-0.75-V	611-02764	(257.5)	(56.4)	(66.2)	(70.0)	(34.2)	(6.8)
1" (25.4)	Epdm	EGPVE-7-NC-1.0	611-03086	10.04"	2.00"	2.00"	2.76"	1.26"	0.34"
	Viton	EGPVE-7-NC-1.0-V	611-03094	(255.1)	(50.8)	(50.8)	(70)	(32.2)	(8.8)
1½" (38.1)	Epdm	EGPVE-7-NC-1.5	611-03098	14.13"	2.76"	2.76"	4.00"	1.75"	0.7"
	Viton	EGPVE-7-NC-1.5-V	611-03106	(359)	(70)	(70)	(101.6)	(44.5)	(17.9)
2" (50.8)	Epdm	EGPVE-7-NC-2.0	611-03110	15.08"	3.5"	3.5"	4.00"	1.75"	0.7"
	Viton	EGPVE-7-NC-2.0-V	611-03119	(383.0)	(89.0)	(89.0)	(101.6)	(44.5)	(18.0)
2½" (63.5)	Epdm	EGPVE-7-NC-2.5	611-03124	16.89"	3.5"	3.5"	5.08"	1.6"	1.46"
	Viton	EGPVE-7-NC-2.5-V	611-03133	(429.0)	(89.0)	(89.0)	(129)	(40.8)	(37.2)
3" (76.2)	Epdm	EGPVE-7-NC-3.0	611-03137	17.56"	3.74"	3.74"	5.08"	1.52"	1.54"
	Viton	EGPVE-7-NC-3.0-V	611-03146	(446.0)	(95.0)	(95.0)	(129)	(38.7)	(39.3)
4" (101.6)	Epdm	EGPVE-7-NC-4.0	611-00872	21.42"	5"	4.92"	6.61"	1.65"	1.26"
	Viton	EGPVE-7-NC-4.0-V	611-00884	(544.0)	(127.0)	(125.0)	(168)	(42)	(32)

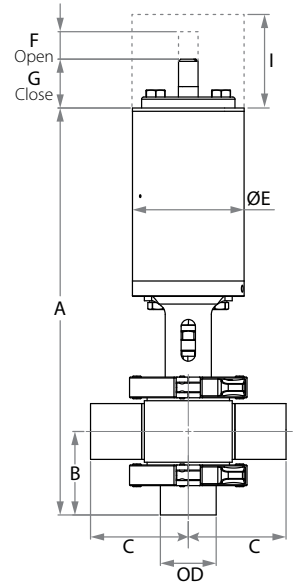
I = Control Height 188 mm



Weld Ends (9)

Size/OD		Name	Item	A	B	C	E	G	F
¾" (19.05)	Epdm	EPVE-9-NC-0.75	611-02750	10.13"	2.22"	2.6"	2.76"	1.34"	0.27"
	Viton	EPVE-9-NC-0.75-V	611-02772	(257.5)	(56.4)	(66.2)	(70.0)	(34.2)	(6.8)
1"	Epdm	EPVE-9-NC-1.0	611-04317	10.04"	2.00"	2.00"	2.76"	1.26"	0.34"
	Viton	EPVE-9-NC-1.0-V	611-04325	(255.1)	(50.8)	(50.8)	(70)	(32.2)	(8.8)
1½"	Epdm	EPVE-9-NC-1.5	611-04329	13.66"	2.24"	2.76"	4.00"	1.75"	0.7"
	Viton	EPVE-9-NC-1.5-V	611-04337	(347)	(57)	(70)	(101.6)	(44.5)	(17.9)
2"	Epdm	EPVE-9-NC-2.0	611-04341	14.57"	3"	3.5"	4.00"	1.75"	0.7"
	Viton	EPVE-9-NC-2.0-V	611-04349	(370.0)	(76.2)	(89.0)	(101.6)	(44.5)	(18.0)
2½"	Epdm	EPVE-9-NC-2.5	611-04353	16.38"	3"	3.5"	5.08"	1.6"	1.46"
	Viton	EPVE-9-NC-2.5-V	611-04361	(416.0)	(76.2)	(89.0)	(129)	(40.8)	(37.2)
3"	Epdm	EPVE-9-NC-3.0	611-04365	17.05"	3.27"	3.74"	5.08"	1.52"	1.54"
	Viton	EPVE-9-NC-3.0-V	611-04373	(433.0)	(83.0)	(95.0)	(129)	(38.7)	(39.3)
4"	Epdm	EPVE-9-NC-4.0	611-00879	21.42"	5"	4.92"	6.61"	1.65"	1.26"
	Viton	EPVE-9-NC-4.0-V	611-00895	(544.0)	(127.0)	(125.0)	(168)	(42)	(32)

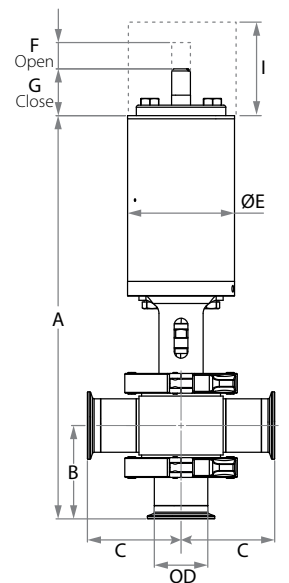
I = Control Height 188 mm



Clamp Ends (9)

Size/OD		Name	Item	A	B	C	E	G	F
¾" (19.05)	Epdm	EGPVE-9-NC-0.75	611-02746	10.13"	2.22"	2.6"	2.76"	1.34"	0.27"
	Viton	EGPVE-9-NC-0.75-V	611-02760	(257.5)	(56.4)	(66.2)	(70.0)	(34.2)	(6.8)
1"	Epdm	EGPVE-9-NC-1.0	611-03453	10.04"	2.00"	2.00"	2.76"	1.26"	0.34"
	Viton	EGPVE-9-NC-1.0-V	611-03461	(255.1)	(50.8)	(50.8)	(70)	(32.2)	(8.8)
1½"	Epdm	EGPVE-9-NC-1.5	611-03465	14.13"	2.76"	2.76"	4.00"	1.75"	0.7"
	Viton	EGPVE-9-NC-1.5-V	611-03473	(359)	(70)	(70)	(101.6)	(44.5)	(17.9)
2"	Epdm	EGPVE-9-NC-2.0	611-03477	15.08"	3.5"	3.5"	4.00"	1.75"	0.7"
	Viton	EGPVE-9-NC-2.0-V	611-03486	(383.0)	(89.0)	(89.0)	(101.6)	(44.5)	(18.0)
2½"	Epdm	EGPVE-9-NC-2.5	611-03491	16.89"	3.5"	3.5"	5.08"	1.6"	1.46"
	Viton	EGPVE-9-NC-2.5-V	611-03499	(429.0)	(89.0)	(89.0)	(129)	(40.8)	(37.2)
3"	Epdm	EGPVE-9-NC-3.0	611-03503	17.56"	3.74"	3.74"	5.08"	1.52"	1.54"
	Viton	EGPVE-9-NC-3.0-V	611-03512	(446.0)	(95.0)	(95.0)	(129)	(38.7)	(39.3)
4"	Epdm	EGPVE-9-NC-4.0	611-00877	21.42"	5"	4.92"	6.61"	1.65"	1.26"
	Viton	EGPVE-9-NC-4.0-V	611-00894	(544.0)	(127.0)	(125.0)	(168)	(42)	(32)

I = Control Height 188 mm

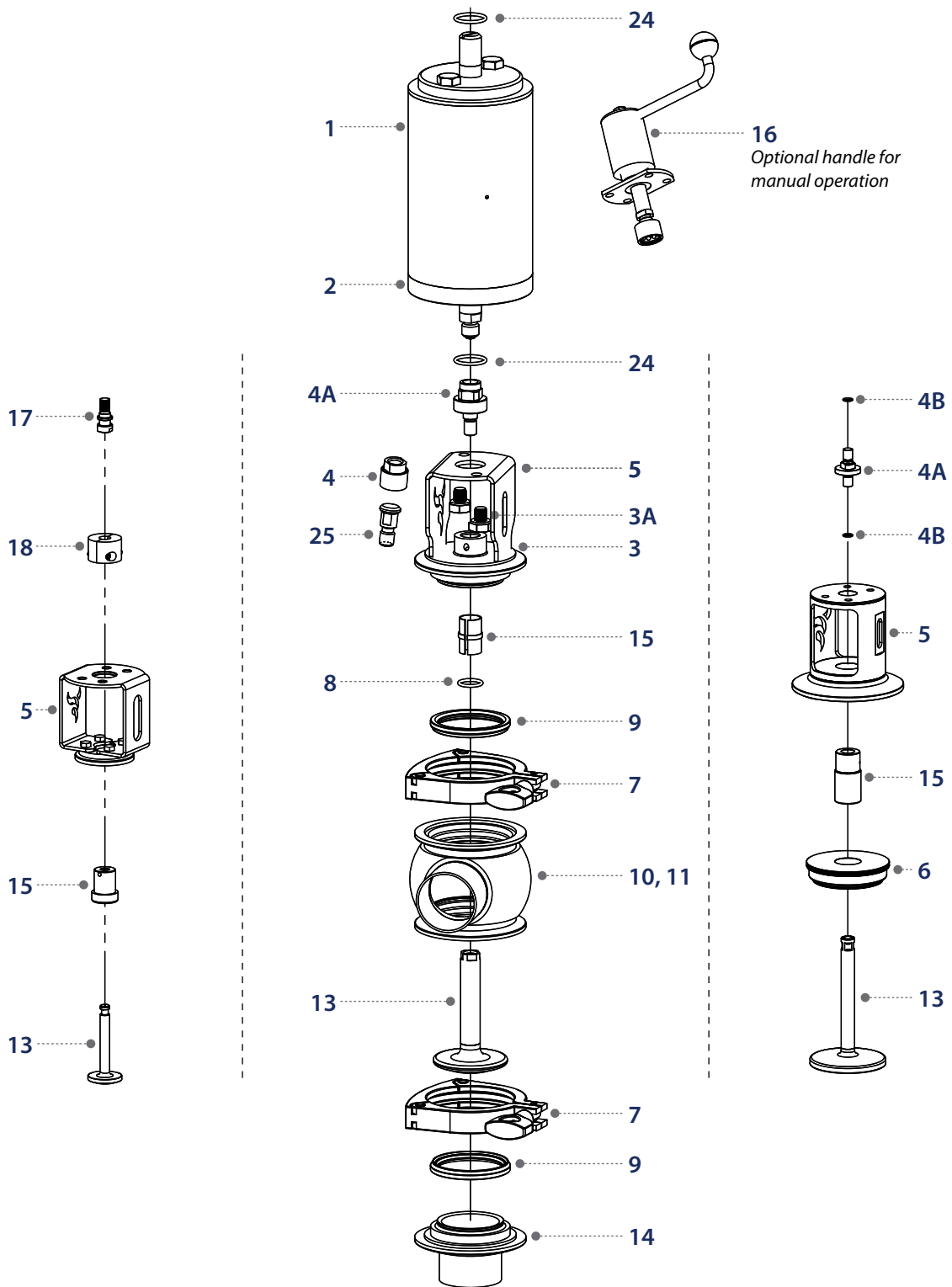


3A PVE Shut-Off Valve Components & Materials

Size ¾" to 1"

Size 1½" to 3"

Size 4"



Optional handle for manual operation

Parts List:

SHUT OFF VALVE: PART LIST For PVE sizes 3/4" (0.75") to 4"

Item #	Part Number	Description
1.	PVEP-1-NC-(NO)-¾ & 1.0	Actuator is reversible for normally open or normally closed
	PVEP-1-NC-(NO)-1.5 & 2.0	Actuator is reversible for normally open or normally closed
	PVEP-1-NC-(NO)-2.5 & 3.0	Actuator is reversible for normally open or normally closed
	PVEP-1-NC-(NO)-4.0	Actuator is reversible for normally open or normally closed
2.	PVEP-2-ALL	Air Inlet
3.	PVEP-3-¾ & 1.0	Fastening Bolts
	PVEP-3-1.5÷3.0	Fastening Bolts
	PVEP-3-4.0	Fastening Bolts
3A.	PVEP-3A-¾ & 1.0	Washer for fastening bolt
	PVEP-3A-1.5÷3.0	Washer for fastening bolt
	PVEP-3A-4.0	Washer for fastening bolt
4.	PVEP-4-ALL	Quick Disconnect Coupling (Optional)
4A.	PVEP-4-1.5÷3.0	Stem Coupling
	PVEP-4-4.0	Stem Coupling
4B.	PVEP-4B-4.0	Stem Coupling O-Ring
5.	PVEP-5-¾ & 1.0	Bonnet & Yoke for ¾" & 1"
	PVEP-5-1.5	Bonnet & Yoke for 1½"
	PVEP-5-2.0	Bonnet & Yoke for 2"
	PVEP-5-2.5	Bonnet & Yoke for 2½"
	PVEP-5-3.0	Bonnet & Yoke for 3"
	PVEP-5-4.0	Bonnet & Yoke for 4"
6.	PVEP-6-4.0	Upper ring seal
7.	Clamp-¾&1.0" 2pc	Clamp (For¾&1.0" Valves)
	13MHHS Clamp-3" 3pc	Heavy Duty Clamp 3" 3 Piece clamp (For 1½" & 2" Valves)
	13MHHS Clamp-4" 3pc	Heavy Duty Clamp 4" 3 Piece clamp (For 2½" & 3" Valves)
	13MHHS Clamp-6" 3pc	Heavy Duty Clamp 6" 3 Piece clamp (For 4" Valves)
8.	PVEP-8-¾-1.0 V	Viton® Stem O-Ring (For ¾" & 1" Valves)
	PVEP-8-1.5-2.0 (V)	EPDM, or Viton® Stem O-Ring (For 1½" & 2" Valves)
	PVEP-8-2.5-3.0 (V)	EPDM or Viton® Stem O-Ring (For 2½" & 3" Valves)
	PVEP-8-4.0 (V)	EPDM or Viton® Stem O-Ring (For 4" Valves)
9.	PVEP-9-¾&1.0" (V)	EPDM or Viton® Seat Seal for¾&1.0"
	PVEP-9-1.5 (V)	EPDM or Viton® Seat Seal for 1½"
	PVEP-9-2.0 (V)	EPDM or Viton® Seat Seal for 2"
	PVEP-9-2.5 (V)	EPDM or Viton® Seat Seal for 2½"
	PVEP-9-3.0 (V)	EPDM or Viton® Seat Seal for 3"
	PVEP-9-4.0 (V)	EPDM or Viton® Seat Seal for 4"
10.	PVEP-7-10C-¾	Tee Body (C=Clamp, W=Butt-Weld)
	PVEP-7-10C-1.0	Tee Body (C=Clamp, W=Butt-Weld)
	PVEP-7-10C-1.5	Tee Body (C=Clamp, W=Butt-Weld)
	PVEP-7-10C-2.0	Tee Body (C=Clamp, W=Butt-Weld)
	PVEP-7-10C-2.5	Tee Body (C=Clamp, W=Butt-Weld)
	PVEP-7-10C-3.0	Tee Body (C=Clamp, W=Butt-Weld)
	PVEP-7-10C-4.0	Tee Body (C=Clamp, W=Butt-Weld)

Parts List:

SHUT OFF VALVE: PART LIST For PVE sizes 3/4" (0.75") to 4"

Item #	Part Number	Description
11.	PVEP-9-11C-¾	Cross Body (C=Clamp, W=Butt-Weld)
	PVEP-9-11C-1.0	Cross Body (C=Clamp, W=Butt-Weld)
	PVEP-9-11C-1.5	Cross Body (C=Clamp, W=Butt-Weld)
	PVEP-9-11C-2.0	Cross Body (C=Clamp, W=Butt-Weld)
	PVEP-9-11C-2.5	Cross Body (C=Clamp, W=Butt-Weld)
	PVEP-9-11C-3.0	Cross Body (C=Clamp, W=Butt-Weld)
	PVEP-9-11C-4.0	Cross Body (C=Clamp, W=Butt-Weld)
13.	PVEP-7-13-¾	Stem for¾" Shut off
	PVEP-7-13-1.0	Stem for 1" Shut off
	PVEP-7-13-1.5	Stem for 1½" Shut off
	PVEP-7-13-2.0	Stem for 2" Shut off
	PVEP-7-13-2.5	Stem for 2½" Shut off
	PVEP-7-13-3.0	Stem for 3" Shut off
	PVEP-7-13-4.0	Stem for 4" Shut off
14.	PVEP-14C-¾	Lower Connection (C=Clamp, W=Butt-Weld)
	PVEP-14C-1.0	Lower Connection (C=Clamp, W=Butt-Weld)
	PVEP-14C-1.5	Lower Connection (C=Clamp, W=Butt-Weld)
	PVEP-14C-2.0	Lower Connection (C=Clamp, W=Butt-Weld)
	PVEP-14C-2.5	Lower Connection (C=Clamp, W=Butt-Weld)
	PVEP-14C-3.0	Lower Connection (C=Clamp, W=Butt-Weld)
	PVEP-14C-4.0	Lower Connection (C=Clamp, W=Butt-Weld)
15.	PVEP-15-¾ & 1.0	Stem guide
	PVEP-15-1.5÷3.0	Stem guide
	PVEP-15-4.0	Stem guide
16.	PVEP-MANUAL-1.5÷3.0	Manual Handle (Optional .Fits 1.5÷3.0 Sizes)*
17.	PVEP- 17-¾ & 1.0	Rod piston head (For¾" & 1" Valves)
18.	PVEP- 18-¾ & 1.0	Split connection (For¾" & 1" Valves)
24.	PVEP-24-¾÷1.0	Actuator O-Ring
	PVEP-24-1.5÷3.0	Actuator O-Ring
	PVEP-24-4.0	Actuator O-Ring
25.	PVEP-25-1.5÷3.0	Knob for Quick Disconnect Coupling

* Manual Handle to be used only with #4 PVEP-4-ALL Quick Disconnect Coupling.

3A PVE - Divert Valve

Designed for Opening, Closing, or Diverting the Fluid Path

- ✓ Spherical body design ensures zero dead leg for maximum cleanability.
- ✓ Easy maintenance with standard O-ring replacement.
- ✓ Quick and simple conversion between Normally Closed (NC) and Normally Open (NO) fail-safe positions.
- ✓ Clamp connection between valve components allows for easy disassembly and reassembly.
- ✓ Available with butt weld or clamp end connections.
- ✓ Minimal gasket exposure to reduce contamination risk.
- ✓ Visual bleeding hole allows for easy leak detection.
- ✓ Hygienic construction suitable for sanitary environments.
- ✓ Internal surface finish of $\leq 32 \mu\text{m Ra}$.

N/C or N/O operation mode in one actuator



Quick Disconnect Coupling
(Optional)

Minimal exposure of the O-ring to the flow

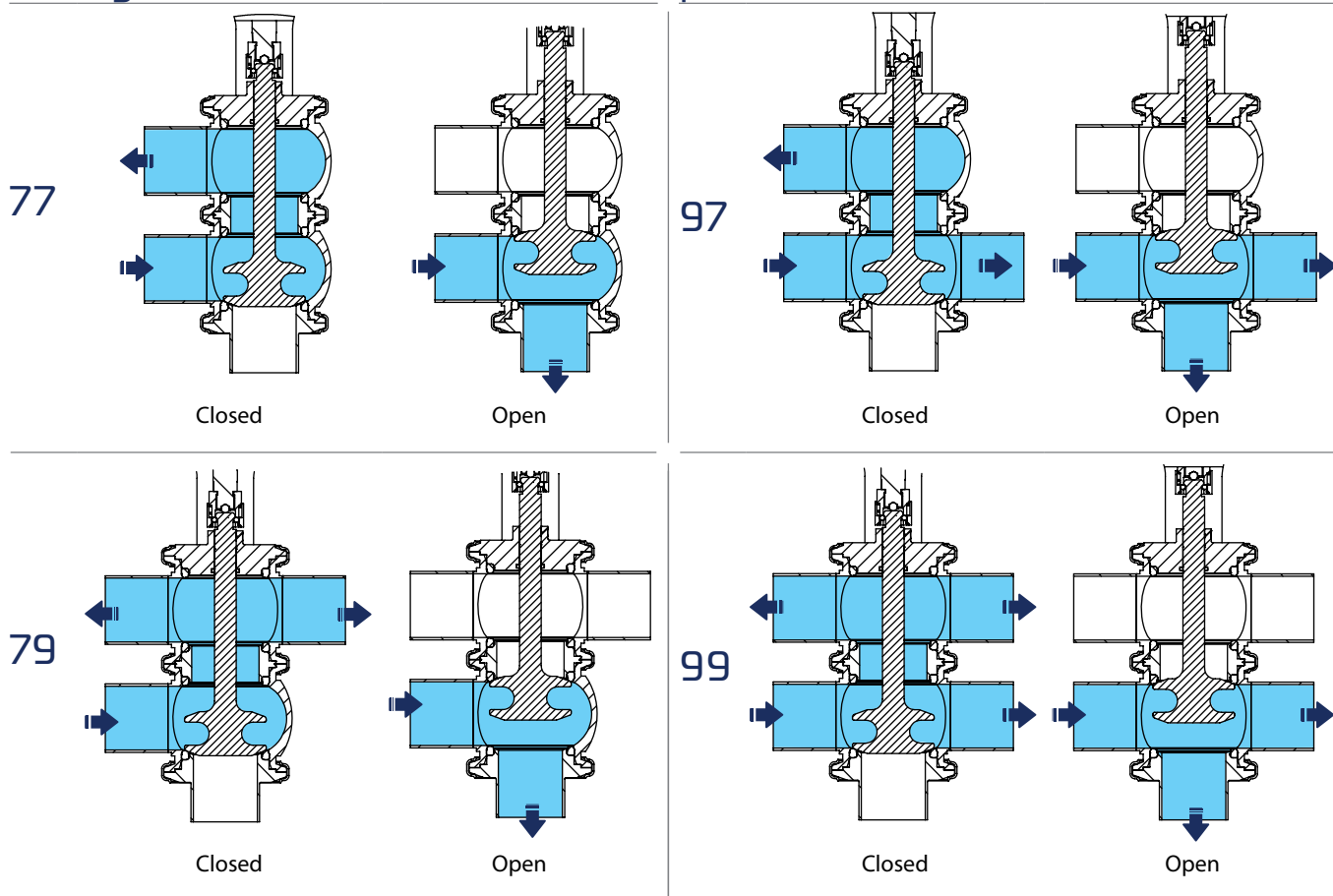
Robust, ball-shaped body made of AISI 316L stainless-steel (made from full bar)

Optimum CIP cleaning due to ball shape and surfaces - no dead spaces

Static O-ring to minimize wear and erosion



Configuration and Flow direction options



How To Order

E **G** **P** **V** **E** - **7** **7** - **N** **C** - **1** . **0** - **V** - **A** **S** **I** - **Q**

Valve Type Valve Configuration Actuation Type Size Seals Control Top Coupling Type

Type Connection	Valve Configuration	Actuation Type	Size	Seals	Control Top *	Coupling Type
EGPVE - CLAMP EPVE - WELD	77 - Divert 79 - Divert 97 - Divert 99 - Divert	NC NO MAN ****	0.75 1.0 1.5 2.0 2.5 3.0 4.0	EPDM - is the Default *** V - Viton, Optional	ASI 24V 11PS - One Inductive Proximity Switch ** 2IPS - Two Inductive Proximity Switch ** (Proximity Switch Diameter 12mm) I/O Link **	Stem coupling - is the default Q - Quick Disconnect

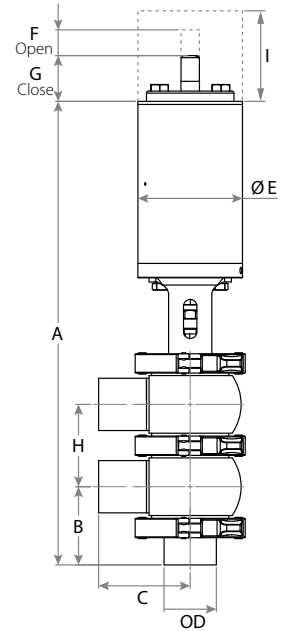
* See page 36 for Control Tops details
 ** I/O Link is Optional, also the Proximity switches that are by Customer
 *** Stem O-ring in 0.75" and 1.0" are only Viton
 **** Manual Handle to be used only with #4 PVEP-4-ALL Quick Disconnect Coupling

3A PVE Divert Valve Dimensions

Weld Ends (77)

Size/OD		Name	Item	A	B	C	E	G	H	F
¾" (19.05)	Epdm	EPVE-77-NC-0.75	611-02752	11.8"	2.22"	2.6"	2.76"	1.15"	1.68"	0.38"
	Viton	EPVE-77-NC-0.75-V	611-02774	(300.0)	(56.4)	(66.2)	(70.0)	(29.4)	(42.8)	(9.87)
1" (25.4)	Epdm	EPVE-77-NC-1.0	611-03663	12.01"	2.00"	2.00"	2.76"	1.13"	1.97"	0.38"
	Viton	EPVE-77-NC-1.0-V	611-03672	(305.2)	(50.8)	(50.8)	(70)	(28.8)	(50.0)	(9.79)
1½" (38.1)	Epdm	EPVE-77-NC-1.5	611-03676	16.38"	2.24"	2.76"	4.00"	1.49"	2.76"	0.87"
	Viton	EPVE-77-NC-1.5-V	611-03685	(416)	(57)	(70)	(101.6)	(38.08)	(70)	(22.21)
2" (50.8)	Epdm	EPVE-77-NC-2.0	611-03689	17.76"	3"	3.5"	4.00"	1.52"	3.11"	0.87"
	Viton	EPVE-77-NC-2.0-V	611-03700	(451.0)	(76.2)	(89.0)	(101.6)	(38.79)	(79.0)	(22.35)
2½" (63.5)	Epdm	EPVE-77-NC-2.5	611-03704	20.28"	3"	3.5"	5.08"	1.53"	3.94"	1.25"
	Viton	EPVE-77-NC-2.5-V	611-03712	(515.0)	(76.2)	(89.0)	(129)	(38.90)	(100.0)	(31.90)
3" (76.2)	Epdm	EPVE-77-NC-3.0	611-03716	21.85"	3.27"	3.74"	5.08"	1.45"	4.76"	1.35"
	Viton	EPVE-77-NC-3.0-V	611-03724	(555.0)	(83.0)	(95.0)	(129)	(37.00)	(121.0)	(34.30)
4" (101.6)	Epdm	EPVE-77-NC-4.0	611-00875	27.32"	5"	4.92"	6.61"	1.65"	5.91"	1.18"
	Viton	EPVE-77-NC-4.0-V	611-00888	(694.0)	(127.0)	(125.0)	(168)	(42)	(150)	(30)

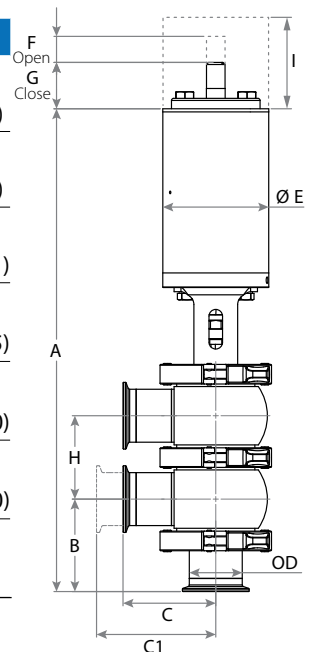
I = Control Height 188 mm



Clamp Ends (77)

Size/OD		Name	Item	A	B	C	E	G	H	F
¾" (19.05)	Epdm	EGPVE-77-NC-0.75	611-02759	11.8"	2.22"	2.6"	2.76"	1.15"	1.68"	0.38"
	Viton	EGPVE-77-NC-0.75-V	611-02773	(300.0)	(56.4)	(66.2)	(70.0)	(29.4)	(42.8)	(9.87)
1" (25.4)	Epdm	EGPVE-77-NC-1.0	611-02835	12.01"	2.00"	2.00"	2.76"	1.13"	1.97"	0.38"
	Viton	EGPVE-77-NC-1.0-V	611-02843	(305.2)	(50.8)	(50.8)	(70)	(28.8)	(50.0)	(9.79)
1½" (38.1)	Epdm	EGPVE-77-NC-1.5	611-02848	16.38"	2.76"	2.76"	4.00"	1.49"	2.76"	0.87"
	Viton	EGPVE-77-NC-1.5-V	611-02856	(416)	(70)	(70)	(101.6)	(38.08)	(70)	(22.21)
2" (50.8)	Epdm	EGPVE-77-NC-2.0	611-02860	18.27"	3.5"	3.5"	4.00"	1.52"	3.11"	0.87"
	Viton	EGPVE-77-NC-2.0-V	611-02872	(464.0)	(89.0)	(89.0)	(101.6)	(38.79)	(79.0)	(22.35)
2½" (63.5)	Epdm	EGPVE-77-NC-2.5	611-02876	20.75"	3.5"	3.5"	5.08"	1.53"	3.94"	1.25"
	Viton	EGPVE-77-NC-2.5-V	611-02885	(527.0)	(89.0)	(89.0)	(129)	(38.90)	(100.0)	(31.90)
3" (76.2)	Epdm	EGPVE-77-NC-3.0	611-02889	22.36"	3.74"	3.74"	5.08"	1.45"	4.76"	1.35"
	Viton	EGPVE-77-NC-3.0-V	611-02898	(568.0)	(95.0)	(95.0)	(129)	(37.00)	(121.0)	(34.30)
4" (101.6)	Epdm	EGPVE-77-NC-4.0	611-00874	27.32"	5"	4.88"	6.61"	1.65"	5.91"	1.18"
	Viton	EGPVE-77-NC-4.0-V	611-00885	(694.0)	(127.0)	(124.0)	(168)	(42)	(150)	(30)

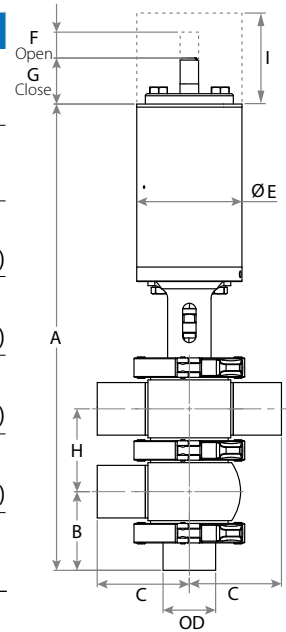
I = Control Height 188 mm



Weld Ends (79)

Size/OD		Name	Item	A	B	C	E	G	H	F
¾" (19.05)	Epdm	EPVE-79-NC-0.75	611-02754	11.8"	2.22"	2.6"	2.76"	1.15"	1.68"	0.38"
	Viton	EPVE-79-NC-0.75-V	611-02769	(300.0)	(56.4)	(66.2)	(70.0)	(29.4)	(42.8)	(9.87)
1" (25.4)	Epdm	EPVE-79-NC-1.0	611-03799	12.01"	2.00"	2.00"	2.76"	1.13"	1.97"	0.38"
	Viton	EPVE-79-NC-1.0-V	611-03807	(305.2)	(50.8)	(50.8)	(70)	(28.8)	(50.0)	(9.79)
1½" (38.1)	Epdm	EPVE-79-NC-1.5	611-03811	16.89"	2.76"	2.76"	4.00"	1.49"	2.76"	0.87"
	Viton	EPVE-79-NC-1.5-V	611-03819	(429)	(70)	(70)	(101.6)	(38.08)	(70)	(22.21)
2" (50.8)	Epdm	EPVE-79-NC-2.0	611-03823	18.27"	3.5"	3.5"	4.00"	1.52"	3.11"	0.87"
	Viton	EPVE-79-NC-2.0-V	611-03831	(464.0)	(89.0)	(89.0)	(101.6)	(38.79)	(79.0)	(22.35)
2½" (63.5)	Epdm	EPVE-79-NC-2.5	611-03835	20.75"	3.5"	3.5"	5.08"	1.53"	3.94"	1.25"
	Viton	EPVE-79-NC-2.5-V	611-03843	(527.0)	(89.0)	(89.0)	(129)	(38.90)	(100.0)	(31.90)
3" (76.2)	Epdm	EPVE-79-NC-3.0	611-03847	22.36"	3.74"	3.74"	5.08"	1.45"	4.76"	1.35"
	Viton	EPVE-79-NC-3.0-V	611-03855	(568.0)	(95.0)	(95.0)	(129)	(37.00)	(121.0)	(34.30)
4" (101.6)	Epdm	EPVE-79-NC-4.0	611-00878	27.32"	5"	4.88"	6.61"	1.65"	5.91"	1.18"
	Viton	EPVE-79-NC-4.0-V	611-00889	(694.0)	(127.0)	(124.0)	(168)	(42)	(150)	(30)

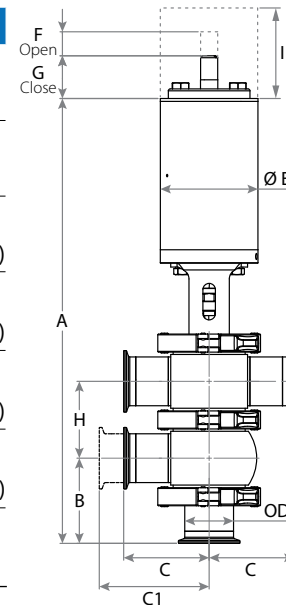
I = Control Height 188 mm



Clamp Ends (79)

Size/OD		Name	Item	A	B	C	E	G	H	F
¾" (19.05)	Epdm	EGPVE-79-NC-0.75	611-02761	11.8"	2.22"	2.6"	2.76"	1.15"	1.68"	0.38"
	Viton	EGPVE-79-NC-0.75-V	611-02763	(300.0)	(56.4)	(66.2)	(70.0)	(29.4)	(42.8)	(9.87)
1" (25.4)	Epdm	EGPVE-79-NC-1.0	611-02964	12.01"	2.00"	2.00"	2.76"	1.13"	1.97"	0.38"
	Viton	EGPVE-79-NC-1.0-V	611-02972	(305.2)	(50.8)	(50.8)	(70)	(28.8)	(50.0)	(9.79)
1½" (38.1)	Epdm	EGPVE-79-NC-1.5	611-02976	16.89"	2.76"	2.76"	4.00"	1.49"	2.76"	0.87"
	Viton	EGPVE-79-NC-1.5-V	611-02984	(429)	(70)	(70)	(101.6)	(38.08)	(70)	(22.21)
2" (50.8)	Epdm	EGPVE-79-NC-2.0	611-02988	18.27"	3.5"	3.5"	4.00"	1.52"	3.11"	0.87"
	Viton	EGPVE-79-NC-2.0-V	611-02997	(464.0)	(89.0)	(89.0)	(101.6)	(38.79)	(79.0)	(22.35)
2½" (63.5)	Epdm	EGPVE-79-NC-2.5	611-03001	20.75"	3.5"	3.5"	5.08"	1.53"	3.94"	1.25"
	Viton	EGPVE-79-NC-2.5-V	611-03009	(527.0)	(89.0)	(89.0)	(129)	(38.90)	(100.0)	(31.90)
3" (76.2)	Epdm	EGPVE-79-NC-3.0	611-03013	22.36"	3.27"	3.74"	5.08"	1.45"	4.76"	1.35"
	Viton	EGPVE-79-NC-3.0-V	611-03021	(568.0)	(83.0)	(95.0)	(129)	(37.00)	(121.0)	(34.30)
4" (101.6)	Epdm	EGPVE-79-NC-4.0	611-00876	27.32"	5"	4.88"	6.61"	1.65"	5.91"	1.18"
	Viton	EGPVE-79-NC-4.0-V	611-00886	(694.0)	(127.0)	(124.0)	(168)	(42)	(150)	(30)

I = Control Height 188 mm

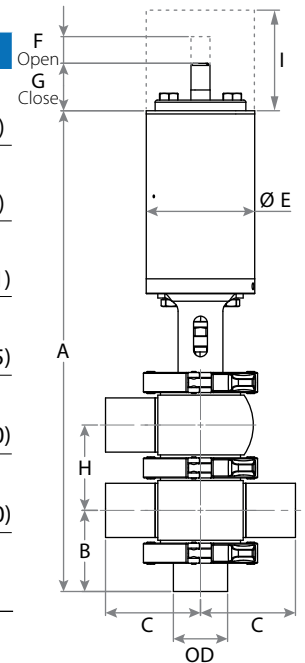


3A PVE Divert Valve Dimensions

Weld Ends (97)

Size/OD		Name	Item	A	B	C	E	G	H	F
¾" (19.05)	Epdm	EPVE-97-NC-0.75	611-02762	11.8"	2.22"	2.6"	2.76"	1.15"	1.68"	0.38"
	Viton	EPVE-97-NC-0.75-V	611-02770	(300.0)	(56.4)	(66.2)	(70.0)	(29.4)	(42.8)	(9.87)
1" (25.4)	Epdm	EPVE-97-NC-1.0	611-04062	12.01"	2.00"	2.00"	2.76"	1.13"	1.97"	0.38"
	Viton	EPVE-97-NC-1.0-V	611-04070	(305.2)	(50.8)	(50.8)	(70)	(28.8)	(50.0)	(9.79)
1½" (38.1)	Epdm	EPVE-97-NC-1.5	611-04074	16.38"	2.24"	2.76"	4.00"	1.49"	2.76"	0.87"
	Viton	EPVE-97-NC-1.5-V	611-04082	(416)	(57)	(70)	(101.6)	(38.08)	(70)	(22.21)
2" (50.8)	Epdm	EPVE-97-NC-2.0	611-04086	17.76"	3"	3.5"	4.00"	1.52"	3.11"	0.87"
	Viton	EPVE-97-NC-2.0-V	611-04094	(451.0)	(76.2)	(89.0)	(101.6)	(38.79)	(79.0)	(22.35)
2½" (63.5)	Epdm	EPVE-97-NC-2.5	611-04098	20.28"	3"	3.5"	5.08"	1.53"	3.94"	1.25"
	Viton	EPVE-97-NC-2.5-V	611-04106	(515.0)	(76.2)	(89.0)	(129)	(38.90)	(100.0)	(31.90)
3" (76.2)	Epdm	EPVE-97-NC-3.0	611-04110	21.85"	3.27"	3.74"	5.08"	1.45"	4.76"	1.35"
	Viton	EPVE-97-NC-3.0-V	611-04118	(555.0)	(83.0)	(95.0)	(129)	(37.00)	(121.0)	(34.30)
4" (101.6)	Epdm	EPVE-97-NC-4.0	611-00882	27.32"	5"	4.92"	6.61"	1.65"	5.91"	1.18"
	Viton	EPVE-97-NC-4.0-V	611-00892	(694.0)	(127.0)	(125.0)	(168)	(42)	(150)	(30)

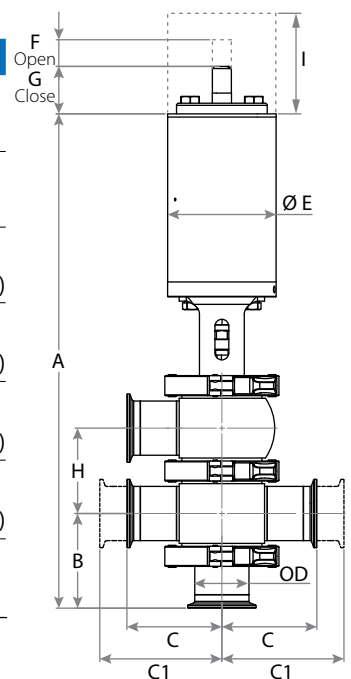
I = Control Height 188 mm



Clamp Ends (97)

Size/OD		Name	Item	A	B	C	E	G	H	F
¾" (19.05)	Epdm	EGPVE-97-NC-0.75	611-02765	11.8"	2.22"	2.6"	2.76"	1.15"	1.68"	0.38"
	Viton	EGPVE-97-NC-0.75-V	611-02766	(300.0)	(56.4)	(66.2)	(70.0)	(29.4)	(42.8)	(9.87)
1" (25.4)	Epdm	EGPVE-97-NC-1.0	611-03212	12.01"	2.00"	2.00"	2.76"	1.13"	1.97"	0.38"
	Viton	EGPVE-97-NC-1.0-V	611-03220	(305.2)	(50.8)	(50.8)	(70)	(28.8)	(50.0)	(9.79)
1½" (38.1)	Epdm	EGPVE-97-NC-1.5	611-03224	16.89"	2.76"	2.76"	4.00"	1.49"	2.76"	0.87"
	Viton	EGPVE-97-NC-1.5-V	611-03232	(429)	(70)	(70)	(101.6)	(38.08)	(70)	(22.21)
2" (50.8)	Epdm	EGPVE-97-NC-2.0	611-03236	18.27"	3.5"	3.5"	4.00"	1.52"	3.11"	0.87"
	Viton	EGPVE-97-NC-2.0-V	611-03244	(464.0)	(89.0)	(89.0)	(101.6)	(38.79)	(79.0)	(22.35)
2½" (63.5)	Epdm	EGPVE-97-NC-2.5	611-03248	20.75"	3.5"	3.5"	5.08"	1.53"	3.94"	1.25"
	Viton	EGPVE-97-NC-2.5-V	611-03256	(527.0)	(89.0)	(89.0)	(129)	(38.90)	(100.0)	(31.90)
3" (76.2)	Epdm	EGPVE-97-NC-3.0	611-03260	22.36"	3.74"	3.74"	5.08"	1.45"	4.76"	1.35"
	Viton	EGPVE-97-NC-3.0-V	611-03268	(568.0)	(95.0)	(95.0)	(129)	(37.00)	(121.0)	(34.30)
4" (101.6)	Epdm	EGPVE-97-NC-4.0	611-00880	27.32"	5"	4.88"	6.61"	1.65"	5.91"	1.18"
	Viton	EGPVE-97-NC-4.0-V	611-00890	(694.0)	(127.0)	(124.0)	(168)	(42)	(150)	(30)

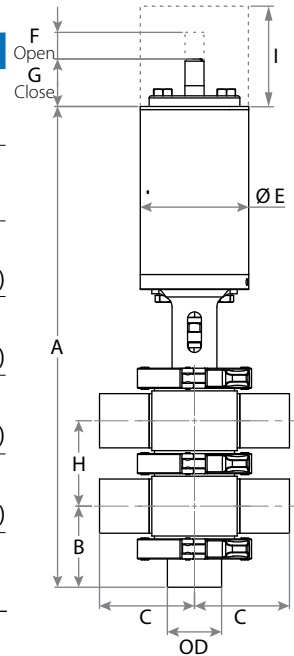
I = Control Height 188 mm



Weld Ends (99)

Size/OD		Name	Item	A	B	C	E	G	H	F
¾" (19.05)	Epdm	EPVE-99-NC-0.75	611-02756	11.8"	2.22"	2.6"	2.76"	1.15"	1.68"	0.38"
	Viton	EPVE-99-NC-0.75-V	611-02771	(300.0)	(56.4)	(66.2)	(70.0)	(29.4)	(42.8)	(9.87)
1" (25.4)	Epdm	EPVE-99-NC-1.0	611-04189	12.01"	2.00"	2.00"	2.76"	1.13"	1.97"	0.38"
	Viton	EPVE-99-NC-1.0-V	611-04197	(305.2)	(50.8)	(50.8)	(70)	(28.8)	(50.0)	(9.79)
1½" (38.1)	Epdm	EPVE-99-NC-1.5	611-04201	16.38"	2.76"	2.76"	4.00"	1.49"	2.76"	0.87"
	Viton	EPVE-99-NC-1.5-V	611-04209	(416)	(70)	(70)	(101.6)	(38.08)	(70)	(22.21)
2" (50.8)	Epdm	EPVE-99-NC-2.0	611-04213	17.76"	3"	3.5"	4.00"	1.52"	3.11"	0.87"
	Viton	EPVE-99-NC-2.0-V	611-04221	(451.0)	(76.2)	(89.0)	(101.6)	(38.79)	(79.0)	(22.35)
2½" (63.5)	Epdm	EPVE-99-NC-2.5	611-04225	20.28"	3"	3.5"	5.08"	1.53"	3.94"	1.25"
	Viton	EPVE-99-NC-2.5-V	611-04106	(515.0)	(76.2)	(89.0)	(129)	(38.90)	(100.0)	(31.90)
3" (76.2)	Epdm	EPVE-99-NC-3.0	611-04237	21.85"	3.23"	3.74"	5.08"	1.45"	4.76"	1.35"
	Viton	EPVE-99-NC-3.0-V	611-04245	(555.0)	(82.0)	(95.0)	(129)	(37.00)	(121.0)	(34.30)
4" (101.6)	Epdm	EPVE-99-NC-4.0	611-00883	27.32"	5"	4.92"	6.61"	1.65"	5.91"	1.18"
	Viton	EPVE-99-NC-4.0-V	611-00893	(694.0)	(127.0)	(125.0)	(168)	(42)	(150)	(30)

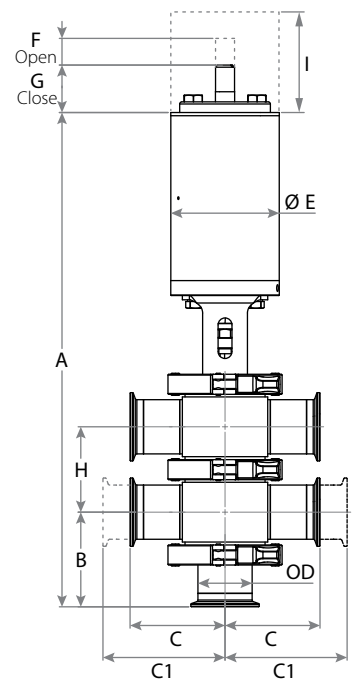
I = Control Height 188 mm



Clamp Ends (99)

Size/OD		Name	Item	A	B	C	E	G	H	F
¾" (19.05)	Epdm	EGPVE-99-NC-0.75	611-02747	11.8"	2.22"	2.6"	2.76"	1.15"	1.68"	0.38"
	Viton	EGPVE-99-NC-0.75-V	611-02767	(300.0)	(56.4)	(66.2)	(70.0)	(29.4)	(42.8)	(9.87)
1" (25.4)	Epdm	EGPVE-99-NC-1.0	611-03332	12.01"	2.00"	2.00"	2.76"	1.13"	1.97"	0.38"
	Viton	EGPVE-99-NC-1.0-V	611-03340	(305.2)	(50.8)	(50.8)	(70)	(28.8)	(50.0)	(9.79)
1½" (38.1)	Epdm	EGPVE-99-NC-1.5	611-03344	16.89"	2.76"	2.76"	4.00"	1.49"	2.76"	0.87"
	Viton	EGPVE-99-NC-1.5-V	611-03352	(429)	(70)	(70)	(101.6)	(38.08)	(70)	(22.21)
2" (50.8)	Epdm	EGPVE-99-NC-2.0	611-03356	18.27"	3.5"	3.5"	4.00"	1.52"	3.11"	0.87"
	Viton	EGPVE-99-NC-2.0-V	611-03365	(464.0)	(89.0)	(89.0)	(101.6)	(38.79)	(79.0)	(22.35)
2½" (63.5)	Epdm	EGPVE-99-NC-2.5	611-03369	20.75"	3.5"	3.5"	5.08"	1.53"	3.94"	1.25"
	Viton	EGPVE-99-NC-2.5-V	611-03377	(527.0)	(89.0)	(89.0)	(129)	(38.90)	(100.0)	(31.90)
3" (76.2)	Epdm	EGPVE-99-NC-3.0	611-03381	22.36"	3.74"	3.74"	5.08"	1.45"	4.76"	1.35"
	Viton	EGPVE-99-NC-3.0-V	611-03389	(568.0)	(95.0)	(95.0)	(129)	(37.00)	(121.0)	(34.30)
4" (101.6)	Epdm	EGPVE-99-NC-4.0	611-00881	27.32"	5"	4.88"	6.61"	1.65"	5.91"	1.18"
	Viton	EGPVE-99-NC-4.0-V	611-00891	(694.0)	(127.0)	(124.0)	(168)	(42)	(150)	(30)

I = Control Height 188 mm

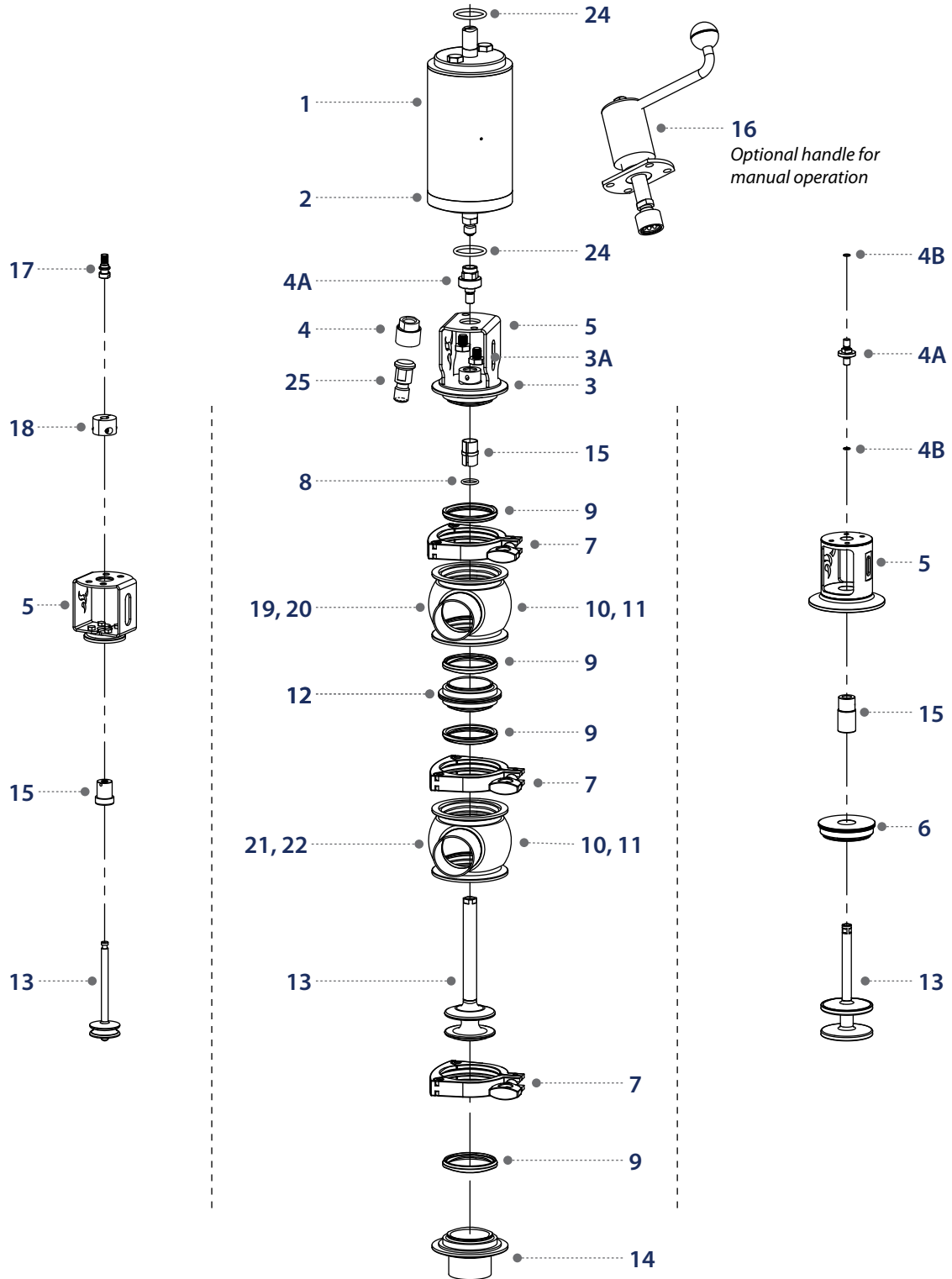


3A PVE Divert Valve Components & Materials

Size 3/4" to 1"

Size 1 1/2" to 3"

Size 4"



Parts List:

DIVERT VALVE: PART LIST For PVE sizes 3/4" (0.75") to 4"

Item #	Part Number	Description
1.	PVEP-1-NC-(NO)-¾ & 1.0	Actuator is reversible for normally open or normally closed
	PVEP-1-NC-(NO)-1.5 & 2.0	Actuator is reversible for normally open or normally closed
	PVEP-1-NC-(NO)-2.5 & 3.0	Actuator is reversible for normally open or normally closed
	PVEP-1-NC-(NO)-4.0	Actuator is reversible for normally open or normally closed
2.	PVEP-2-ALL	Air Inlet
3.	PVEP-3-¾ & 1.0	Fastening Bolts
	PVEP-3-1.5÷3.0	Fastening Bolts
	PVEP-3-4.0	Fastening Bolts
3A.	PVEP-3A-¾ & 1.0	Washer for fastening bolt
	PVEP-3A-1.5÷3.0	Washer for fastening bolt
	PVEP-3A-4.0	Washer for fastening bolt
4.	PVEP-4-ALL	Quick Disconnect Coupling (Optional)
4A.	PVEP-4-1.5÷3.0	Stem Coupling
	PVEP-4-4.0	Stem Coupling
5.	PVEP-5-¾ & 1.0	Bonnet & Yoke for ¾" & 1"
	PVEP-5-1.5	Bonnet & Yoke for 1½"
	PVEP-5-2.0	Bonnet & Yoke for 2"
	PVEP-5-2.5	Bonnet & Yoke for 2½"
	PVEP-5-3.0	Bonnet & Yoke for 3"
	PVEP-5-4.0	Bonnet & Yoke for 4"
6.	PVEP-6-4.0	Upper ring seal
7.	Clamp-¾&1.0" 2pc	Clamp (For¾&1.0" Valves)
	13MHHS Clamp-3" 3pc	Heavy Duty Clamp 3" 3 Piece clamp (For 1½" & 2" Valves)
	13MHHS Clamp-4" 3pc	Heavy Duty Clamp 4" 3 Piece clamp (For 2½" & 3" Valves)
	13MHHS Clamp-6" 3pc	Heavy Duty Clamp 6" 3 Piece clamp (For 4" Valve)
8.	PVEP-8-¾-1.0V	Viton® Stem O-Ring (For¾" & 1" Valves)
	PVEP-8-1.5-2.0 (V)	EPDM, or Viton® Stem O-Ring (For 1½" & 2" Valves)
	PVEP-8-2.5-3.0 (V)	EPDM or Viton® Stem O-Ring (For 2½" & 3" Valves)
	PVEP-8-4.0 (V)	EPDM or Viton® Stem O-Ring (For 4" Valve)
9.	PVEP-9-¾&1.0" (V)	EPDM or Viton® Seat Seal for¾" & 1"
	PVEP-9-1.5 (V)	EPDM or Viton® Seat Seal for 1½"
	PVEP-9-2.0 (V)	EPDM or Viton® Seat Seal for 2"
	PVEP-9-2.5 (V)	EPDM or Viton® Seat Seal for 2½"
	PVEP-9-3.0 (V)	EPDM or Viton® Seat Seal for 3"
	PVEP-9-4.0 (V)	EPDM or Viton® Seat Seal for 4"
10.	PVEP-7-10C-1.5	Tee Body (C=Clamp, W=Butt-Weld)
	PVEP-7-10C-2.0	Tee Body (C=Clamp, W=Butt-Weld)
	PVEP-7-10C-2.5	Tee Body (C=Clamp, W=Butt-Weld)
	PVEP-7-10C-3.0	Tee Body (C=Clamp, W=Butt-Weld)
	PVEP-7-10C-4.0	Tee Body (C=Clamp, W=Butt-Weld)
11.	PVEP-9-11C-1.5	Cross Body (C=Clamp, W=Butt-Weld)
	PVEP-9-11C-2.0	Cross Body (C=Clamp, W=Butt-Weld)
	PVEP-9-11C-2.5	Cross Body (C=Clamp, W=Butt-Weld)
	PVEP-9-11C-3.0	Cross Body (C=Clamp, W=Butt-Weld)
	PVEP-9-11C-4.0	Cross Body (C=Clamp, W=Butt-Weld)

Item #	Part Number	Description
12.	PVEP-12-1.0	Seal Base Adapter 1"
	PVEP-12-1.5	Seal Base Adapter 1½"
	PVEP-12-2.0	Seal Base Adapter 2"
	PVEP-12-2.5	Seal Base Adapter 2½"
	PVEP-12-3.0	Seal Base Adapter 3"
	PVEP-12-4.0	Seal Base Adapter 4"
13.	PVEP-77-13-¾	Stem for¾" Divert Valve
	PVEP-77-13-1.0	Stem for 1 " Divert Valve
	PVEP-77-13-1.5	Stem for 1½" Divert Valve
	PVEP-77-13-2.0	Stem for 2" Divert Valve
	PVEP-77-13-2.5	Stem for 2½" Divert Valve
	PVEP-77-13-3.0	Stem for 3" Divert Valve
	PVEP-77-13-4.0	Stem for 4" Divert Valve
14.	PVEP-14C-¾	Lower Connection (C=Clamp, W=Butt-Weld)
	PVEP-14C-1.0	Lower Connection (C=Clamp, W=Butt-Weld)
	PVEP-14C-1.5	Lower Connection (C=Clamp, W=Butt-Weld)
	PVEP-14C-2.0	Lower Connection (C=Clamp, W=Butt-Weld)
	PVEP-14C-2.5	Lower Connection (C=Clamp, W=Butt-Weld)
	PVEP-14C-3.0	Lower Connection (C=Clamp, W=Butt-Weld)
	PVEP-14C-4.0	Lower Connection (C=Clamp, W=Butt-Weld)
15.	PVEP-15-¾ & 1.0	Stem guide
	PVEP-15-1.5÷3.0	Stem guide
	PVEP-15-4.0	Stem guide
16.	PVEP-MANUAL-1.5÷3.0	Manual Handle (Optional .Fits 1.5÷3.0 Sizes)*
17.	PVEP- 17-3 & 1.0	Rod piston head (For¾" & 1" Valves)
18.	PVEP- 18-3 & 1.0	Split connection (For¾" & 1" Valves)
19.	PVEP-7-19C-¾	Tee Body (C=Clamp, W=Butt-Weld)
	PVEP-7-19C-1.0	Tee Body (C=Clamp, W=Butt-Weld)
20.	PVEP-9-20C-¾	Cross Body (C=Clamp, W=Butt-Weld)
	PVEP-9-20C-1.0	Cross Body (C=Clamp, W=Butt-Weld)
21.	PVEP-7-21C-¾	Tee Body (C=Clamp, W=Butt-Weld)
	PVEP-7-21C-1.0	Tee Body (C=Clamp, W=Butt-Weld)
22.	PVEP-9-22C-¾	Cross Body (C=Clamp, W=Butt-Weld)
	PVEP-9-22C-1.0	Cross Body (C=Clamp, W=Butt-Weld)
24.	PVEP-24-¾÷1.0	Actuator O-Ring
	PVEP-24-1.5÷3.0	Actuator O-Ring
	PVEP-24-4.0	Actuator O-Ring
25.	PVEP-25-1.5÷3.0	Knob for Quick Disconnect Coupling

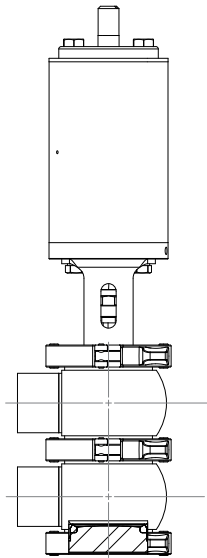
* Manual Handle to be used only with #4 PVEP-4-ALL Quick Disconnect Coupling.

Divert Closed Outlet Valve

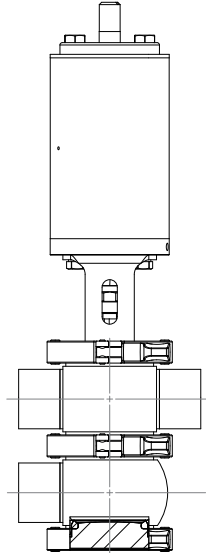
N/C or N/O operation mode in one actuator



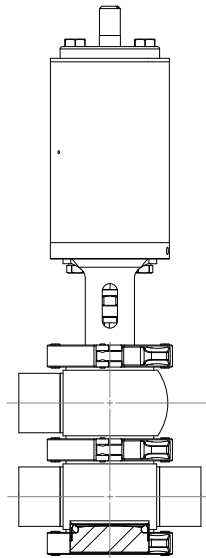
Weld Ends
(77)



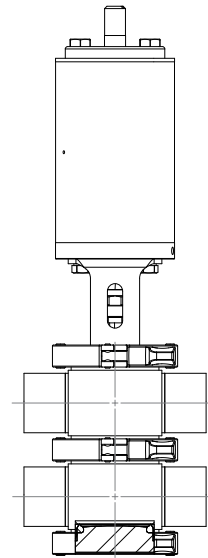
Weld Ends
(79)



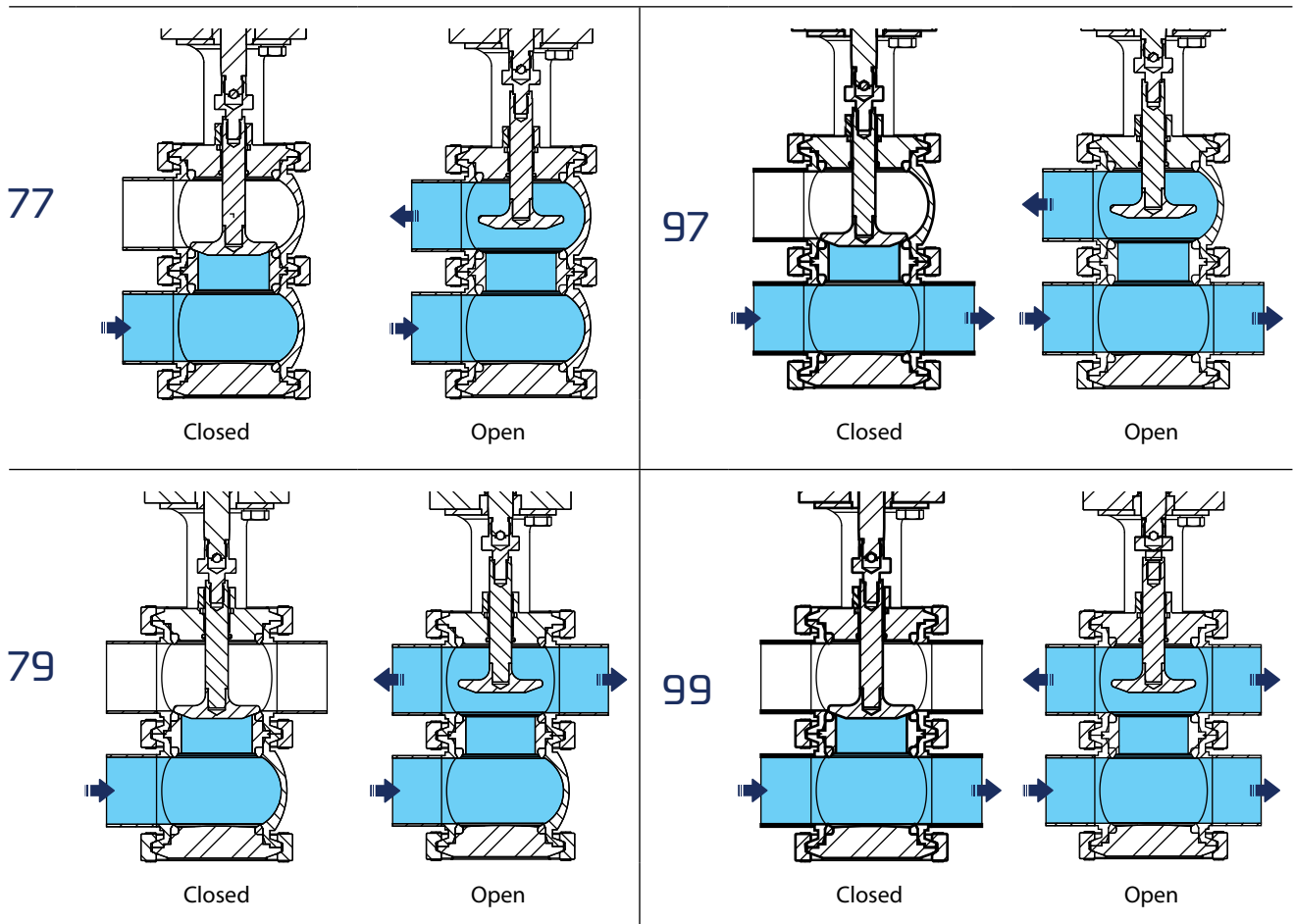
Weld Ends
(97)



Weld Ends
(99)



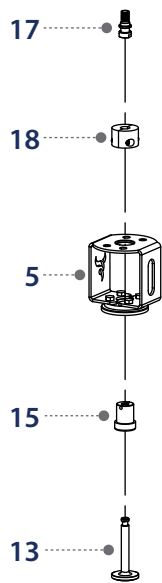
Configuration and Flow direction options



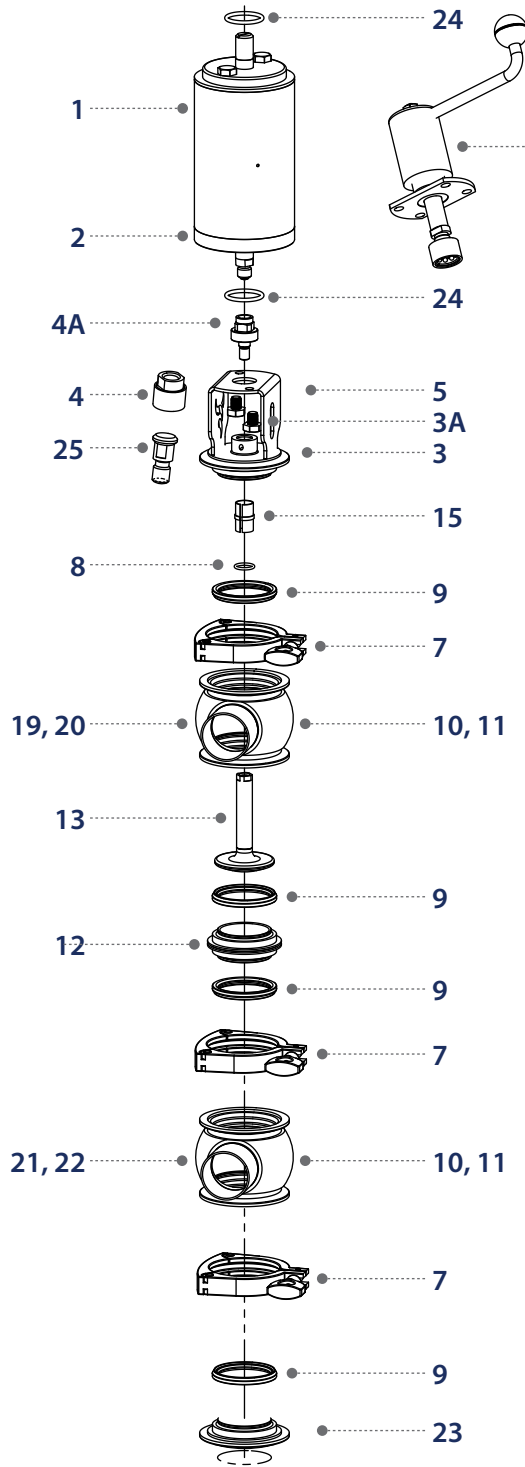
3A PVE Divert Closed Outlet Valve

Components & Materials

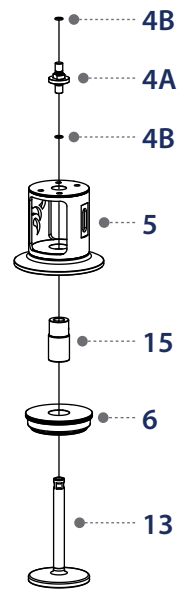
Size 3/4" to 1"



Size 1 1/2" to 3"



Size 4"



16
Optional handle for manual operation

Parts List:

3A PVE DIVERT CLOSED OUTLET VALVE: PART LIST For PVE sizes 3/4" (0.75") to 4"

Item #	Part Number	Description
1.	PVEP-1-NC-(NO)-¾ & 1.0	Actuator is reversible for normally open or normally closed
	PVEP-1-NC-(NO)-1.5 & 2.0	Actuator is reversible for normally open or normally closed
	PVEP-1-NC-(NO)-2.5 & 3.0	Actuator is reversible for normally open or normally closed
	PVEP-1-NC-(NO)-4.0	Actuator is reversible for normally open or normally closed
2.	PVEP-2-ALL	Air Inlet
3.	PVEP-3-¾ & 1.0	Fastening Bolts
	PVEP-3-1.5÷3.0	Fastening Bolts
	PVEP-3-4.0	Fastening Bolts
3A.	PVEP-3A-¾ & 1.0	Washer for fastening bolt
	PVEP-3A-1.5÷3.0	Washer for fastening bolt
	PVEP-3A-4.0	Washer for fastening bolt
4.	PVEP-4-ALL	Quick Disconnect Coupling (Optional)
4A.	PVEP-4-1.5÷3.0	Stem Coupling
	PVEP-4-4.0	Stem Coupling
5.	PVEP-5-¾ & 1.0	Bonnet & Yoke for¾" & 1"
	PVEP-5-1.5	Bonnet & Yoke for 1½"
	PVEP-5-2.0	Bonnet & Yoke for 2"
	PVEP-5-2.5	Bonnet & Yoke for 2½"
	PVEP-5-3.0	Bonnet & Yoke for 3"
	PVEP-5-4.0	Bonnet & Yoke for 4"
6.	PVEP-6-4.0	Upper ring seal
7.	Clamp-¾&1.0" 2pc	Clamp (For¾&1.0" Valves)
	13MHHS Clamp-3" 3pc	Heavy Duty Clamp 3" 3 Piece clamp (For 1½" & 2" Valves)
	13MHHS Clamp-4" 3pc	Heavy Duty Clamp 4" 3 Piece clamp (For 2½" & 3" Valves)
	13MHHS Clamp-6" 3pc	Heavy Duty Clamp 6" 3 Piece clamp (For 4" Valve)
8.	PVEP-8-¾-1.0V	Viton® Stem O-Ring (For¾" & 1" Valves)
	PVEP-8-1.5-2.0 (V)	EPDM, or Viton® Stem O-Ring (For 1½" & 2" Valves)
	PVEP-8-2.5-3.0 (V)	EPDM or Viton® Stem O-Ring (For 2½" & 3" Valves)
	PVEP-8-4.0 (V)	EPDM or Viton® Stem O-Ring (For 4" Valve)
9.	PVEP-9-¾&1.0" (V)	EPDM or Viton® Seat Seal for¾" & 1"
	PVEP-9-1.5 (V)	EPDM or Viton® Seat Seal for 1½"
	PVEP-9-2.0 (V)	EPDM or Viton® Seat Seal for 2"
	PVEP-9-2.5 (V)	EPDM or Viton® Seat Seal for 2½"
	PVEP-9-3.0 (V)	EPDM or Viton® Seat Seal for 3"
	PVEP-9-4.0 (V)	EPDM or Viton® Seat Seal for 4"
10.	PVEP-7-10C-1.5	Tee Body (C=Clamp, W=Butt-Weld)
	PVEP-7-10C-2.0	Tee Body (C=Clamp, W=Butt-Weld)
	PVEP-7-10C-2.5	Tee Body (C=Clamp, W=Butt-Weld)
	PVEP-7-10C-3.0	Tee Body (C=Clamp, W=Butt-Weld)
	PVEP-7-10C-4.0	Tee Body (C=Clamp, W=Butt-Weld)
11.	PVEP-9-11C-1.5	Cross Body (C=Clamp, W=Butt-Weld)
	PVEP-9-11C-2.0	Cross Body (C=Clamp, W=Butt-Weld)
	PVEP-9-11C-2.5	Cross Body (C=Clamp, W=Butt-Weld)
	PVEP-9-11C-3.0	Cross Body (C=Clamp, W=Butt-Weld)
	PVEP-9-11C-4.0	Cross Body (C=Clamp, W=Butt-Weld)

Parts List:

3A PVE DIVERT CLOSED OUTLET VALVE: PART LIST For PVE sizes 3/4" (0.75") to 4"

Item #	Part Number	Description
12.	PVEP-12-1.0	Seal Base Adapter 1"
	PVEP-12-1.5	Seal Base Adapter 1½"
	PVEP-12-2.0	Seal Base Adapter 2"
	PVEP-12-2.5	Seal Base Adapter 2½"
	PVEP-12-3.0	Seal Base Adapter 3"
	PVEP-12-4.0	Seal Base Adapter 4"
13.	PVEP-77-13-¾	Stem for¾" Shut off
	PVEP-77-13-1.0	Stem for 1 " Shut off
	PVEP-77-13-1.5	Stem for 1½" Shut off
	PVEP-77-13-2.0	Stem for 2" Shut off
	PVEP-77-13-2.5	Stem for 2½" Shut off
	PVEP-77-13-3.0	Stem for 3" Shut off
	PVEP-77-13-4.0	Stem for 4" Shut off
14.	PVEP-14C-¾	Lower Connection (C=Clamp, W=Butt-Weld)
	PVEP-14C-1.0	Lower Connection (C=Clamp, W=Butt-Weld)
	PVEP-14C-1.5	Lower Connection (C=Clamp, W=Butt-Weld)
	PVEP-14C-2.0	Lower Connection (C=Clamp, W=Butt-Weld)
	PVEP-14C-2.5	Lower Connection (C=Clamp, W=Butt-Weld)
	PVEP-14C-3.0	Lower Connection (C=Clamp, W=Butt-Weld)
	PVEP-14C-4.0	Lower Connection (C=Clamp, W=Butt-Weld)
15.	PVEP-15-¾ & 1.0	Stem guide
	PVEP-15-1.5÷3.0	Stem guide
	PVEP-15-4.0	Stem guide
16.	PVEP-MANUAL-1.5÷3.0	Manual Handle (Optional .Fits 1.5÷3.0 Sizes)*
17.	PVEP- 17-3 & 1.0	Rod piston head (For¾" & 1" Valves)
18.	PVEP- 18-3 & 1.0	Split connection (For¾" & 1" Valves)
19.	PVEP-7-19C-¾	Tee Body (C=Clamp, W=Butt-Weld)
	PVEP-7-19C-1.0	Tee Body (C=Clamp, W=Butt-Weld)
20.	PVEP-9-20C-¾	Cross Body (C=Clamp, W=Butt-Weld)
	PVEP-9-20C-1.0	Cross Body (C=Clamp, W=Butt-Weld)
21.	PVEP-7-21C-¾	Tee Body (C=Clamp, W=Butt-Weld)
	PVEP-7-21C-1.0	Tee Body (C=Clamp, W=Butt-Weld)
22.	PVEP-9-22C-¾	Cross Body (C=Clamp, W=Butt-Weld)
	PVEP-9-22C-1.0	Cross Body (C=Clamp, W=Butt-Weld)
23.	PVEP-23C-¾	Closed outlet
	PVEP-23C-1.0	Closed outlet
	PVEP-23C-1.5	Closed outlet
	PVEP-23C-2.0	Closed outlet
	PVEP-23C-2.5	Closed outlet
	PVEP-23C-3.0	Closed outlet
	PVEP-23C-4.0	Closed outlet
24.	PVEP-24-¾÷1.0	Actuator O-Ring
	PVEP-24-1.5÷3.0	Actuator O-Ring
	PVEP-24-4.0	Actuator O-Ring
25.	PVEP-25-1.5÷3.0	Knob for Quick Disconnect Coupling

* Manual Handle to be used only with #4 PVEP-4-ALL Quick Disconnect Coupling.

PVE Change-over Closed Outlet Valve*

Weld Ends

N/C or N/O operation mode in one actuator



* Vertical position is recommended for maximum endurance.
Available upon request

3A PVE - Pressure Relief Valve (Overflow Valve)

The primary function of a pressure or vacuum relief valve is to protect both personnel and equipment by either venting process fluid from an over-pressurized vessel or introducing fluid or gas (such as air) to prevent vacuum conditions that could lead to the collapse of a storage tank.

- ✓ Functions as a pressure relief valve, with the option for full valve opening via pneumatic actuation.
- ✓ Commonly used as an overflow valve for automatic CIP processes or bypass applications.

Pressure Relief Valve - Key Properties

- ✓ Operating pressure range: 2-7 bar
- ✓ Pneumatic opening pressure: Minimum 5 bar - Maximum 7 bar
- ✓ Materials of construction:
 - Actuator: AISI 304L stainless steel
 - Valve body: AISI 316L stainless steel
 - Gaskets: EPDM or Viton
- ✓ Internal surface finish: $\leq 32 \mu\text{in Ra}$
- ✓ Factory calibrated to a specific pressure as per customer requirements**



How To Order Pressure Relief Valve

E	G	P	V	E	- RELIEF -	2 . 0	- E -	Q
Valve Type			Valve Configuration	Size	Seals	Coupling Type		

Type Connection	Valve Configuration	Size	Seals	Control	Coupling Type
EGPVE - CLAMP EPVE - WELD	Relief	1.5 2.0	EPDM - is the default V - Viton	1IPS - One Inductive Proximity Switch * 2IPS - Two Inductive Proximity Switch * (Proximity Switch Diameter 12mm)	Stem coupling - is the default Q - Quick Disconnect

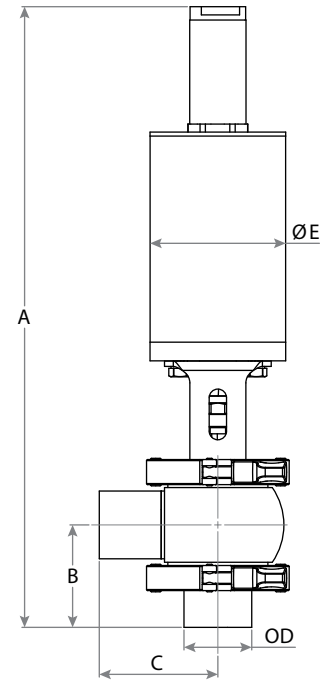
* Optional By customer

** The preset relief pressure will be noted and secured on the actuator.

3A PVE Pressure Relief Valve Dimensions

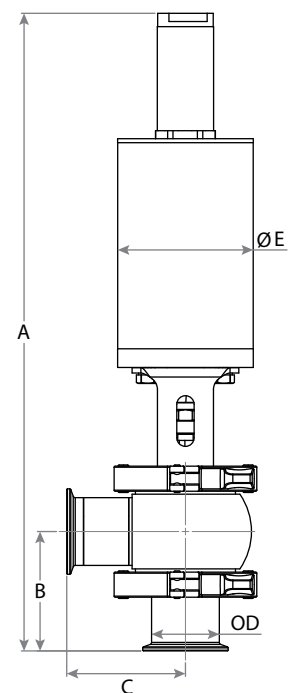
Weld Ends (7)

Size/OD		Name	Item	A	B	C	E
1½" (38.1)	Epdm	EPVE-RELIEF-1.5	611-04439	17.40	2.24	2.76	4.00
	Viton	EPVE-RELIEF-1.5-V	611-04441	(442)	(57)	(70)	(101.6)
2" (50.8)	Epdm	EPVE-RELIEF-2.0	611-04442	18.31	3.00	3.50	4.00
	Viton	EPVE-RELIEF-2.0-V	611-04444	(465)	(76.2)	(89)	(101.6)



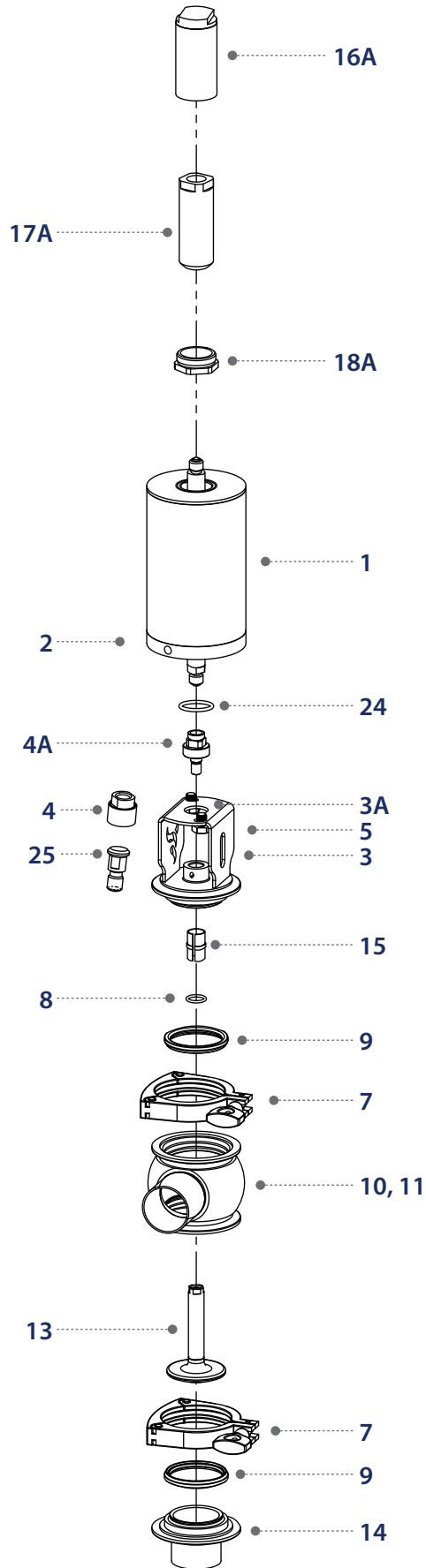
Clamp Ends (7)

Size/OD		Name	Item	A	B	C	E
1½" (38.1)	Epdm	EGPVE-7-NC-1.5	611-03098	17.87	2.76	2.76	4.00
	Viton	EGPVE-7-NC-1.5-V	611-03106	(454)	(70)	(70)	(101.6)
2" (50.8)	Epdm	EGPVE-7-NC-2.0	611-03110	18.82	3.50	3.50	4.00
	Viton	EGPVE-7-NC-2.0-V	611-03119	(478)	(89)	(89)	(101.6)



3A PVE Pressure Relief Valve Components & Materials

Size 1½" to 2"



Parts List:

3A PVE PRESSURE RELIEF VALVE: PART LIST For PVE sizes 1.5" to 2"

Item #	Part Number	Description
1.	PVEP-1-NC-(NO)-1.5 & 2.0	Actuator is reversible for normally open or normally closed
2.	PVEP-2-ALL	Air Inlet
3.	PVEP-3-1.5÷2.0	Fastening Bolts
3A.	PVEP-3A-1.5÷2.0	Washer for fastening bolt
4.	PVEP-4-ALL	Quick Disconnect Coupling (Optional)
4A.	PVEP-4-1.5÷2.0	Stem Coupling
5.	PVEP-5-1.5	Bonnet & Yoke for 1½"
	PVEP-5-2.0	Bonnet & Yoke for 2"
7.	13MHHS Clamp-3" 3pc	Heavy Duty Clamp 3" 3 Piece clamp (For 1½" & 2" Valves)
8.	PVEP-8-1.5-2.0 (V)	EPDM, or Viton® Stem O-Ring (For 1½" & 2" Valves)
9.	PVEP-9-1.5 (V)	EPDM or Viton® Seat Seal for 1½"
	PVEP-9-2.0 (V)	EPDM or Viton® Seat Seal for 2"
10.	PVEP-7-10C-1.5	Tee Body (C=Clamp, W=Butt-Weld)
	PVEP-7-10C-2.0	Tee Body (C=Clamp, W=Butt-Weld)
11.	PVEP-9-11C-1.5	Cross Body (C=Clamp, W=Butt-Weld)
	PVEP-9-11C-2.0	Cross Body (C=Clamp, W=Butt-Weld)
13.	PVEP-7-13-1.5	Stem for 1½" Shut off
	PVEP-7-13-2.0	Stem for 2" Shut off
14.	PVEP-14C-1.5	Lower Connection (C=Clamp, W=Butt-Weld)
	PVEP-14C-2.0	Lower Connection (C=Clamp, W=Butt-Weld)
15.	PVEP-15-1.5÷2.0	Stem guide
16A.	PVEP-16A-1.5 & 2.0	Cup
17A.	PVEP-17A-1.5 & 2.0	Calibrating screw
18A.	PVEP-18A-1.5 & 2.0	Locking nut
24.	PVEP-24-1.5÷3.0	Actuator O-Ring
25.	PVEP-25-1.5÷3.0	Knob for Quick Disconnect Coupling

3A PVE Tank Bottom Valve

The Tank Bottom Valve is a pneumatically actuated single-seat valve designed to shut off fluid media at the base of vessels or tanks. It is commonly used in the dairy, food & beverage, pharmaceutical, and chemical industries.

Made from AISI 316L stainless steel and electro-polished, this valve ensures complete drainage of the tank, thereby optimizing CIP/SIP processes and maintaining high hygienic standards.

Key Advantages

- ✓ Easy and quick assembly/disassembly thanks to a one-piece valve structure.
- ✓ Zero dead leg design minimizes maintenance requirements.
- ✓ Engineered to ensure complete tank drainage.

Tank Bottom Valve Properties

- ✓ Operating pressure range: 2-7 bar
- ✓ Pneumatic opening pressure: Minimum 5 bar - Maximum 8 bar
- ✓ Materials of construction:
 - Actuator: AISI 304L stainless steel
 - Valve body: AISI 316L stainless steel
 - Gaskets: EPDM or Viton
- ✓ Internal surface finish: ≤ 32 µin Ra

N/C or N/O operation mode in one actuator



How To Order Tank Bottom Valve



Type Connection	Valve Configuration	Actuation Type	Size	Seals	Control Top	Coupling Type
EGPVE - CLAMP EPVE - WELD	Tank	NC NO	1.5 2.0 2.5 3.0	EPDM - is the default V - Viton *	ASI 24V 1IPS - One Inductive Proximity Switch ** 2IPS - Two Inductive Proximity Switch ** (Proximity Switch Diameter 12mm)	Q - Quick Disconnect

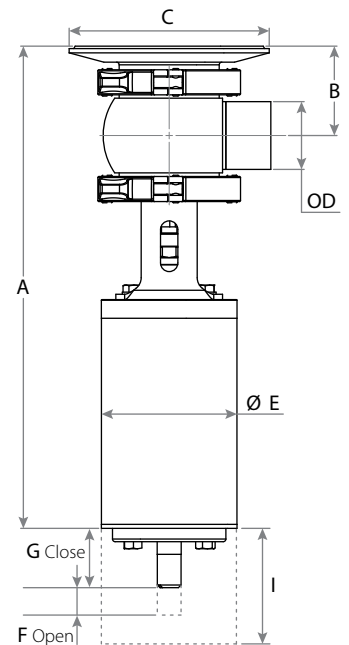
* Available upon request
** Optional By customer

3A PVE Tank Bottom Valve Dimensions

Weld Ends (7)

Size/OD		Name	Item	A	B	C	E	G	F
1½" (38.1)	Epdm	EPVE-TANK-NC-1.5	611-04468	13.82	2.36	5.91	4.00	2.32	1.00
	Viton	EPVE-TANK-NC-1.5-V	611-04476	(351)	(60)	(150)	(101.6)	(59)	(25.4)
2" (50.8)	Epdm	EPVE-TANK-NC-2.0	611-04480	14.21	2.56	5.91	4.00	2.36	1.06
	Viton	EPVE-TANK-NC-2.0-V	611-04488	(361)	(65)	(150)	(101.6)	(60)	(26.8)
2½" (63.5)	Epdm	EPVE-TANK-NC-2.5	611-04492	15.35	3.23	7.09	4.00	2.17	1.00
	Viton	EPVE-TANK-NC-2.5-V	611-04501	(390)	(82)	(180)	(101.6)	(55)	(25.4)
3" (76.2)	Epdm	EPVE-TANK-NC-3.0	611-04505	17.76	3.82	7.87	5.08	2.05	1.53
	Viton	EPVE-TANK-NC-3.0-V	611-04513	(451)	(97)	(200)	(129)	(52)	(38.9)

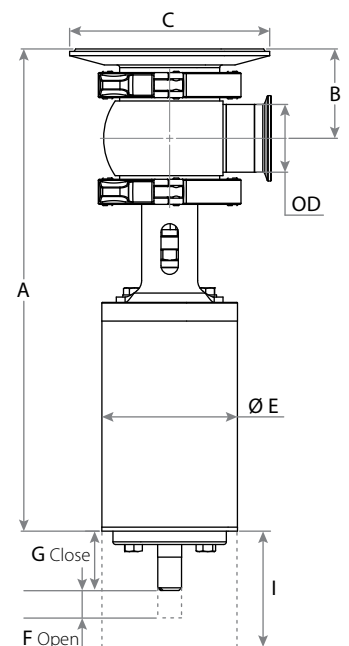
I = Control Height 188 mm



Clamp Ends (7)

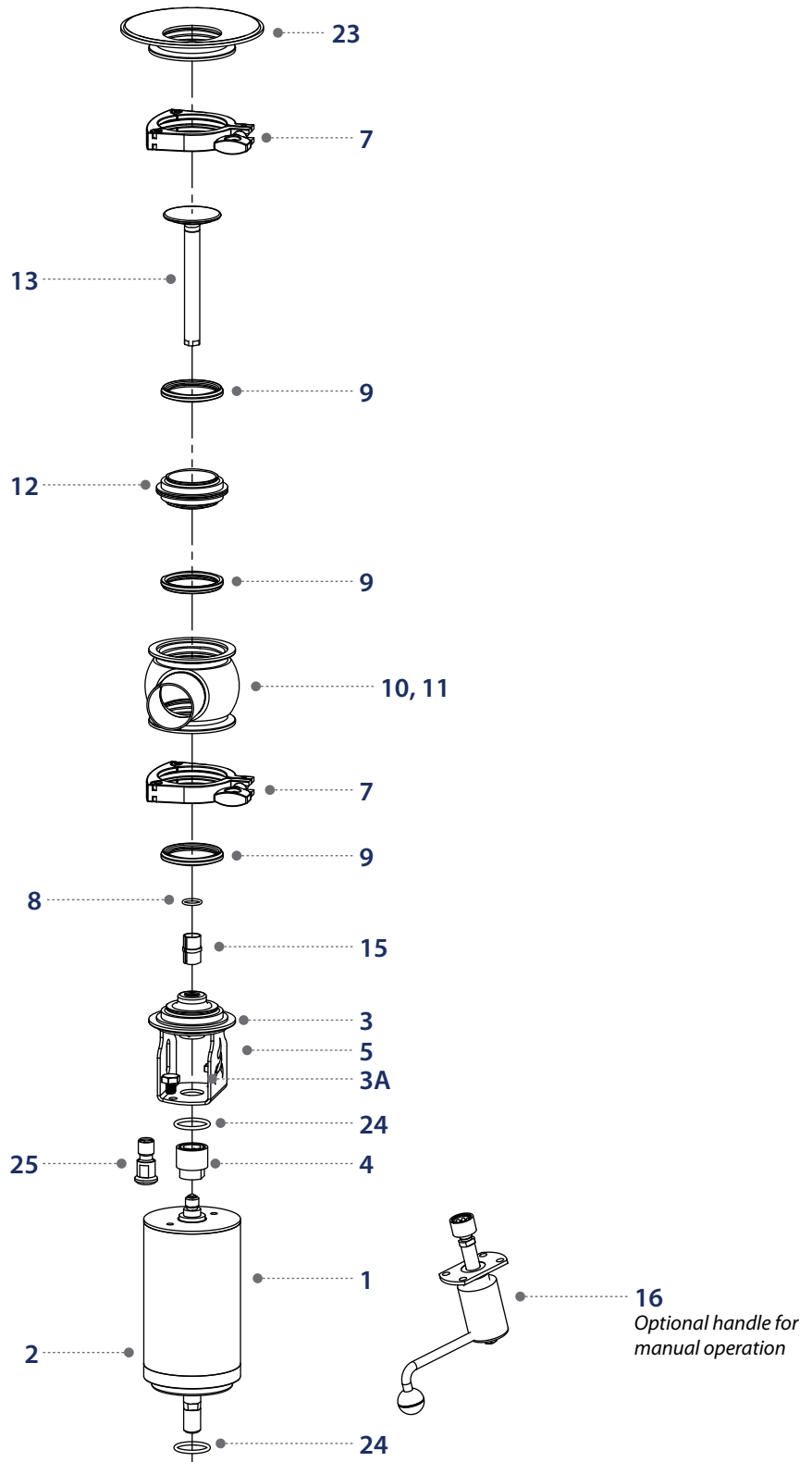
Size/OD		Name	Item	A	B	C	E	G	F
1½" (38.1)	Epdm	EGPVE-TANK-NC-1.5	611-03601	13.82	2.36	5.91	4.00	2.32	1.00
	Viton	EGPVE-TANK-NC-1.5-V	611-03609	(351)	(60)	(150)	(101.6)	(59)	(25.4)
2" (50.8)	Epdm	EGPVE-TANK-NC-2.0	611-03613	14.21	2.56	5.91	4.00	2.36	1.06
	Viton	EGPVE-TANK-NC-2.0-V	611-03621	(361)	(65)	(150)	(101.6)	(60)	(26.8)
2½" (63.5)	Epdm	EGPVE-TANK-NC-2.5	611-03625	15.35	3.23	7.09	4.00	2.17	1.00
	Viton	EGPVE-TANK-NC-2.5-V	611-03633	(390)	(82)	(180)	(101.6)	(55)	(25.4)
3" (76.2)	Epdm	EGPVE-TANK-NC-3.0	611-03637	17.76	3.82	7.87	5.08	2.05	1.53
	Viton	EGPVE-TANK-NC-3.0-V	611-03645	(451)	(97)	(200)	(129)	(52)	(38.9)

I = Control Height 188 mm



3A PVE Tank Bottom Valve Components & Materials

Size 1½" to 3"



Parts List:

3A PVE TANK BOTTOM VALVE: PART LIST For PVE sizes 1.5" to 3"

Item #	Part Number	Description
1.	PVEP-1-NC-(NO)-1.5 & 2.0	Actuator is reversible for normally open or normally closed
	PVEP-1-NC-(NO)-2.5 & 3.0	Actuator is reversible for normally open or normally closed
2.	PVEP-2-ALL	Air Inlet
3.	PVEP-3-1.5÷3.0	Fastening Bolts
3A.	PVEP-3A-1.5÷3.0	Washer for fastening bolt
4.	PVEP-4-ALL	Quick Disconnect Coupling
5.	PVEP-TANK-5-1.5	Bonnet & Yoke
	PVEP-TANK-5-2.0	Bonnet & Yoke
	PVEP-TANK-5-2.5	Bonnet & Yoke
	PVEP-TANK-5-3.0	Bonnet & Yoke
7.	13MHHS Clamp-3" 3pc	Heavy Duty Clamp 3" 3 Piece clamp (For 1½" & 2" Valves)
	13MHHS Clamp-4" 3pc	Heavy Duty Clamp 4" 3 Piece clamp (For 2½" & 3" Valves)
8.	PVEP-8-1.5-2.0 (V)	EPDM, or Viton® Stem O-Ring (For 1½" & 2" Valves)
	PVEP-8-2.5-3.0 (V)	EPDM or Viton® Stem O-Ring (For 2½" & 3" Valves)
9.	PVEP-9-1.5 (V)	EPDM or Viton® Seat Seal for 1½"
	PVEP-9-2.0 (V)	EPDM or Viton® Seat Seal for 2"
	PVEP-9-2.5 (V)	EPDM or Viton® Seat Seal for 2½"
	PVEP-9-3.0 (V)	EPDM or Viton® Seat Seal for 3"
10.	PVEP-7-10C-1.5	Tee Body (C=Clamp, W=Butt-Weld)
	PVEP-7-10C-2.0	Tee Body (C=Clamp, W=Butt-Weld)
	PVEP-7-10C-2.5	Tee Body (C=Clamp, W=Butt-Weld)
	PVEP-7-10C-3.0	Tee Body (C=Clamp, W=Butt-Weld)
11.	PVEP-9-11C-1.5	Cross Body (C=Clamp, W=Butt-Weld)
	PVEP-9-11C-2.0	Cross Body (C=Clamp, W=Butt-Weld)
	PVEP-9-11C-2.5	Cross Body (C=Clamp, W=Butt-Weld)
	PVEP-9-11C-3.0	Cross Body (C=Clamp, W=Butt-Weld)
12.	PVEP-12-1.5	Seal Base Adapter
	PVEP-12-2.0	Seal Base Adapter
	PVEP-12-2.5	Seal Base Adapter
	PVEP-12-3.0	Seal Base Adapter
13.	PVEP-TANK-13-1.5	Stem
	PVEP-TANK-13-2.0	Stem
	PVEP-TANK-13-2.5	Stem
	PVEP-TANK-13-3.0	Stem
15.	PVEP-15-1.5÷3.0	Stem guide
16.	PVEP-MANUAL-1.5÷3.0	Manual Handle (Optional .Fits 1.5÷3.0 Sizes)
23.	PVEP-TANK-23-1.5	Tank Bottom Plate for 1½"
	PVEP-TANK-23-2.0	Tank Bottom Plate for 2"
	PVEP-TANK-23-2.5	Tank Bottom Plate for 2½"
	PVEP-TANK-23-3.0	Tank Bottom Plate for 3"
24.	PVEP-24-1.5÷3.0	Actuator O-Ring
25.	PVEP-25-1.5÷3.0	Knob for Quick Disconnect Coupling

3A PVE Control Top

FlowStar Control Top

The FlowStar Control Top has been specifically developed for seat valves as a custom-fit solution for our in-house single seat valves, providing enhanced efficiency and precision. It incorporates a proven contact-free position measurement system using a proximity switch. Available models include 24 VDC and AS-i bus options.

Features

- ✓ Linear position measurement
- ✓ Contact-free sensing
- ✓ AS-i and direct I/O connection options
- ✓ Pneumatic 3/2 solenoid valve (manual operation available)
- ✓ Up to three configurable positions
- ✓ Fast and easy calibration
- ✓ Visual and electrical position feedback
- ✓ Circuit boards coated for corrosion resistance
- ✓ Safety device to protect against overpressure in the base housing
- ✓ Sealed connection for durability
- ✓ Quick and easy installation
- ✓ Compatible with all types and sizes of PVE valves
- ✓ Automatic control top color indication:
Green = Closed position, Amber = Open position

Control Top - Versions

Valve size	Part Number	
	24V	ASIBUS
0.75"-1.0"	618-01002	618-01003
1.5"-3.0"	618-00992	618-00993
4.0"	618-00997	618-00998

* Includes all connection accessories

How To Order

To fully specify your part, begin with the product description and then select the additional options as outlined below:

PVEP	-	CH	-	SR	-	1.0 - 0.75	-	24V
		Product Line		Action		Valve Size		Control Top
		Control top PVE - Linear		SR - Spring Return		0.75-1.0 1.5-3.0 4.0		24 V ASi Bus I/O Link *

* By Customer

N/C or N/O operation
mode in one actuator



Structure

Electronic Module
Equipped with connection terminals, a service interface, and Teach buttons located on the rear side.

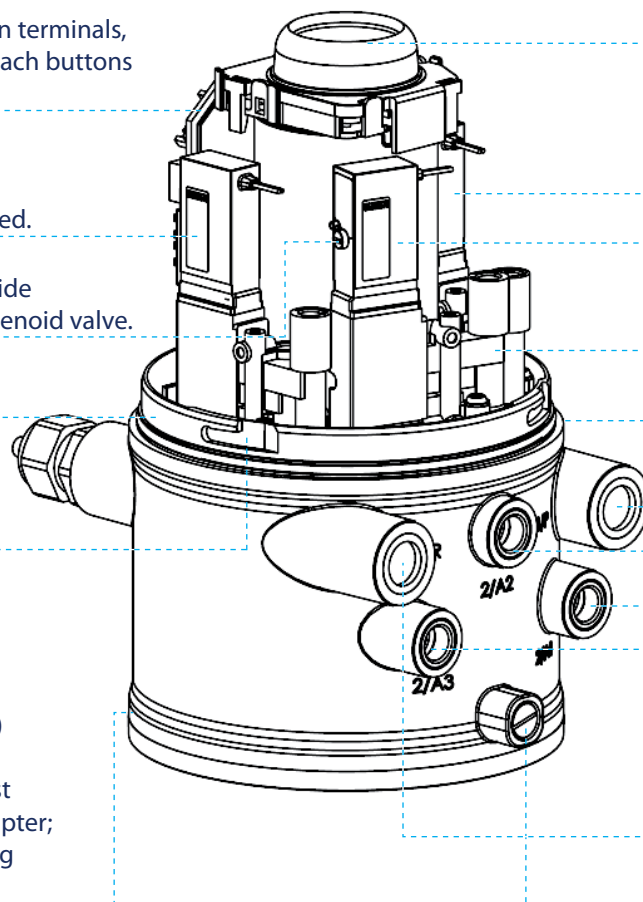
Solenoid valve V3* included.

Mechanical manual override with red lever on each solenoid valve.

Cable glands positioned on the rear lever.

Locking Grooves X3

Two shoulder screws (M5) used for locking. Provide protection against detachment from the adapter; they do not serve a sealing function.



Position Measuring System
Equipped with an LED indicator (device status LED / top LED).

Solenoid valve V1*

Solenoid valve V2*

Flow Restriction Screw(s)
Two screws per solenoid valve for ports P and R.

Sealing Lug - Hidden from view for secure sealing.

Connections:
Supply pressure connection (1/P)
Solenoid valve 2 connection (2/A2)

Solenoid valve 1 connection (2/A1)
Working connections (2/A1 to 3)

Exhaust air connection (3/R)
Additional Component Silencer for the exhaust air connection (3/R), not shown.

* Solenoid valves V2 and V3 - optional

Control Top Types

24VDC

- ✓ Direct I/O 24VDC valve controller
 - ✓ Integrated LED dome indicator (Green = Closed / Amber = Open)
 - ✓ Auto calibration feature for accurate position indication
 - ✓ Mounts on valve using a dedicated mounting kit
- Direct I/O Controller for Linear Valves (Spring Return)

Includes:

- Baseplate made of POM
- 3/2-way solenoid valve
- Transparent screw cover
- Auto calibration for position indication
- LED dome indicator
- 5-pin M12x1 connector
- Air connection for 6 mm air hose

ASI

- ✓ AS-Interface valve controller
 - ✓ Integrated LED dome indicator (Green = Closed / Amber = Open)
 - ✓ Auto calibration for precise position indication
 - ✓ Mounts on valve via dedicated mounting kit
 - ✓ Slave Profile: S-3/A.0.E
- AS-Interface Controller for Linear Valves (Spring Return)

Equipped with:

- Baseplate (POM)
- 3/2-way solenoid valve
- Transparent screw cover
- Auto calibration for position indication
- AS-Interface electronic module with LED dome
- 4-pin M12x1 connector
- Air connection for 6 mm air hose

I/O Link Headline

- ✓ IO-Link is a globally standardized IO technology (IEC 61131-9) designed for communication with sensors and actuators.
- ✓ It utilizes a point-to-point communication system with 3- or 5-conductor wiring for sensors and actuators, using unshielded standard sensor cables.
- ✓ The IO-Link control top is available in two variants:
 - Port Class A: Shared power supply (Power 1) for both the system and actuators (solenoid valves).
 - Port Class B: Separate power supplies—Power 1 for the system and Power 2 for actuators—allowing safety shutdown of the solenoid valves independently.

Technical specification:

Parameter	24 V	AS-I bus	I/O Link
Working temperature	14°F(-10°C)... 131°F(55 °C)		Ambient temperature: Standard version:14°F (-10°C)... 131°F (55 °C) in a potentially explosive atmosphere (zone 2): 41°F (5°C)... 131°F (55 °C)
Protection class	IP65/IP67**		Protection Class 3 in accordance with DIN EN 61140 (VDE 0140-1)
Max. working pressure	116 psi (8 bar)		36.25 psi to 116psi (2.5 bar to 8 bar)
Weight	~1.76 lb (0.8 kg)		Approx. 1.76lb (0.8kg)
Housing material:			Hood: PC (transparent, partly coated inside) lower part: PPE-PS GF20, blue cable gland: PA
Hood	PC		PC (transparent, partly coated inside)
Base	PPE-PS GF20		
Cable gland	PA		PA
Sealing material	NBR		Exterior: EPDM, NBR
Stroke range	0 ... 3.15" (80 mm)		0 ... 3.15" (80mm)
Power Supply	12~28 VDC	29.5~31.6VDC 21.0~31.6 VDC	18...30 V DC (according to specification)
Power Consumption	2.6 W	2.9 W	
Electrical connection	M16 x 1.5 cable gland/size22	15 cm cable with multipole connector M12, 4-pole	Port A Class - Circular plug-in connector M12 x 1, 4-pole Port B Class - Circular plug-in connector M12 x 1, 5-pole

** IP 67 can be achieved ONLY when an approved technician performs the assembly and the hood is sealed properly

Current consumption:

- Port class A (supply of the system and actuators (solenoid valves) via Power 1)
- Port class B (system supply via Power 1, supply of actuators (solenoid valves) via Power 2)

Max. current consumption:

i.e. 2 solenoid valves active, 1 solenoid valve switches on (for 200 ms),
1 position feedback via LED display, no external proximity switch:

- Port class A (Power 1): <151 mA at 24 V DC
- Port class B (Power 1): <63 mA at 24 V DC
- Port class B (Power 2): <97 mA at 24 V DC

Current consumption in the persistent state:

i.e. 3 solenoid valves active, 1 position feedback via LED Display,
no external proximity switch:

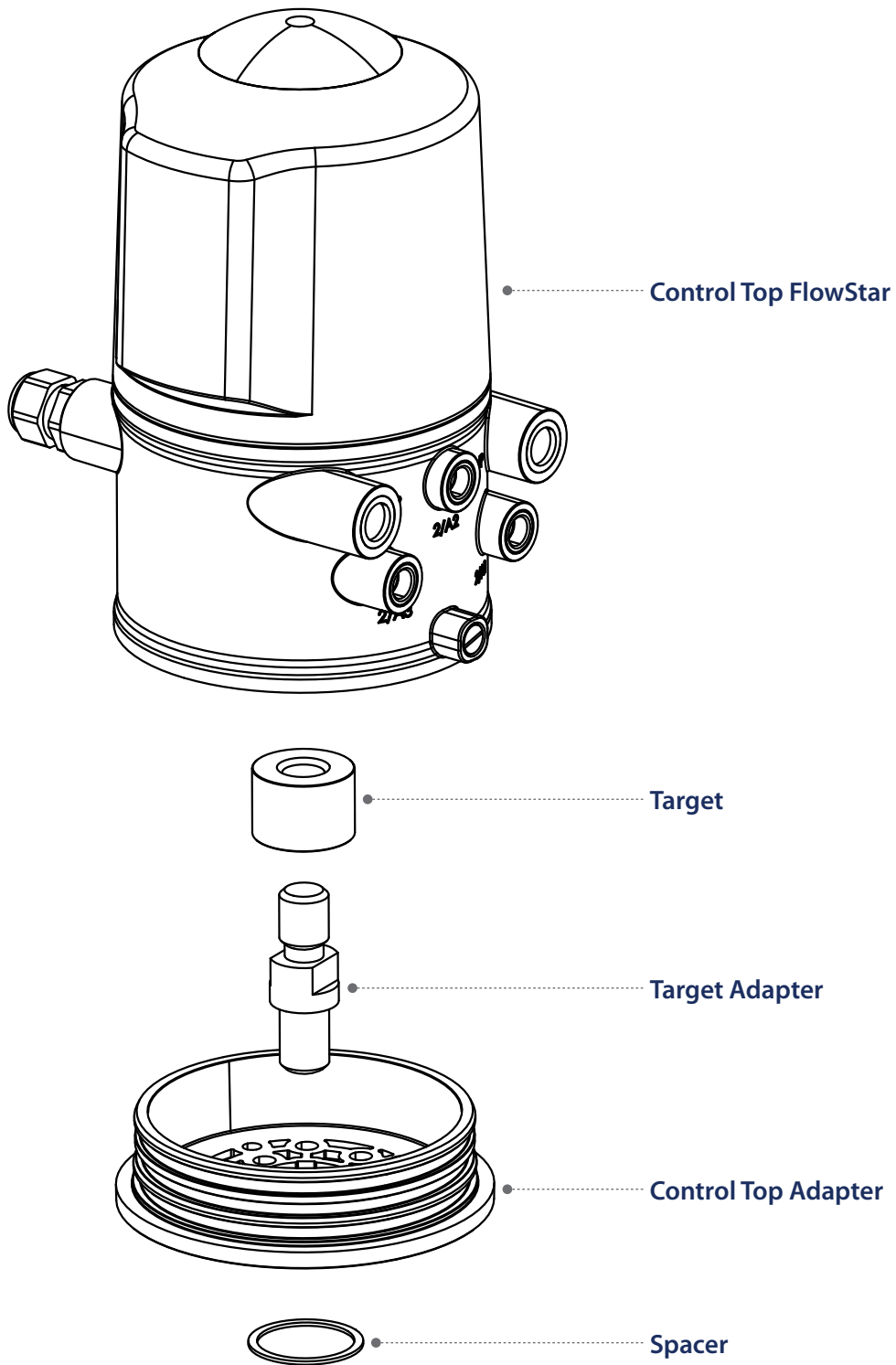
- Port class A (Power 1): <138 mA at 24 V DC
- Port class B (Power 1): <63 mA at 24 V DC
- Port class B (Power 2): <84 mA at 24 V DC

Idle current:

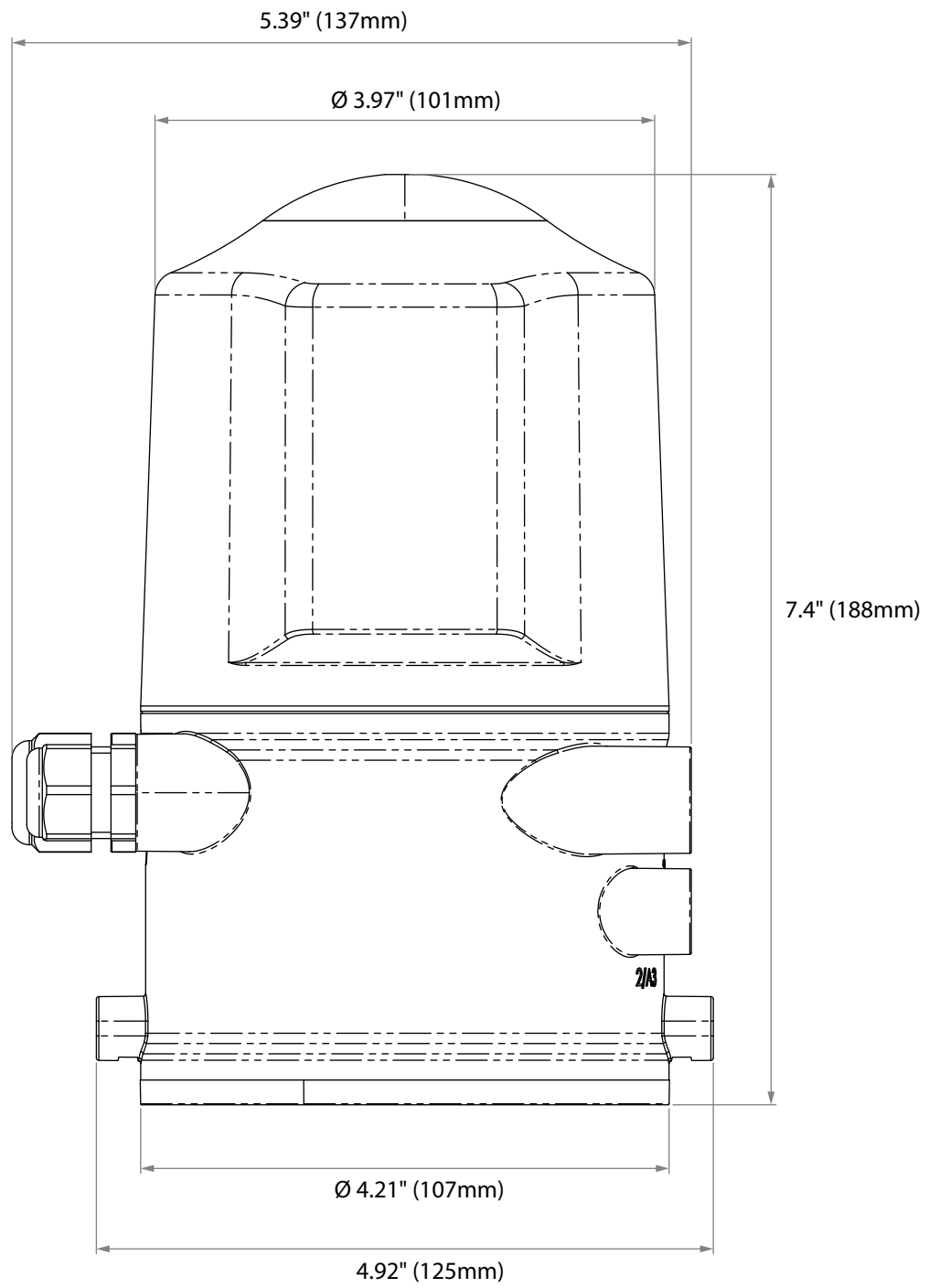
i.e. no solenoid valve active, no position feedback via LED display, no
external proximity switch:

- Port class A (Power 1): <42 mA at 24 V DC
- Port class B (Power 1): <42 mA at 24 V DC
- Port class B (Power 2): <9 mA at 24 V DC

Exploded view



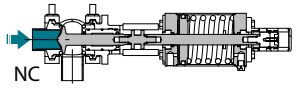
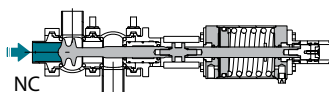
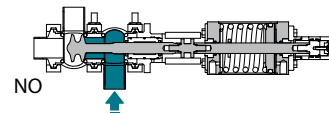
Dimensions



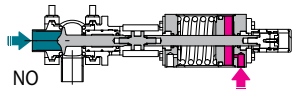
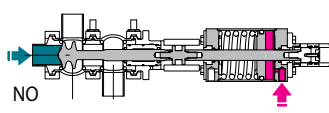
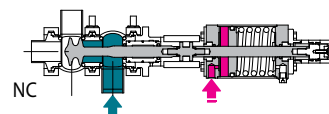
Maximum Media Working Pressure*

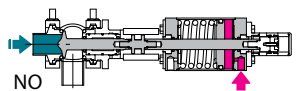
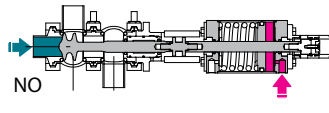
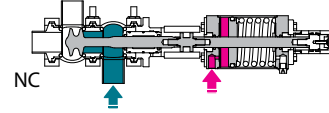
Spring Actuator

■ Media ■ Air

Actuator & Valve body combinations	Actuator Mode	Air pressure	Valve Size						
			3/4"	1"	1 1/2"	2"	2 1/2"	3"	4"
			PVE0	PVE0	PVE1	PVE1	PVE2	PVE2	PVE3
 NC	Spring	0 Bar	13.5	7.0	11.5	6.0	6.5	4.5	5.0
	Spring	0 PSI	196	102	167	87	94	65	73
 NC	Spring	0 Bar	12.5	8.0	11.5	6.0	6.5	4.5	5.0
	Spring	0 PSI	181	116	167	87	94	65	73
 NO	Spring	0 Bar	13.5	9.5	11.5	6.0	6.5	4.5	5.0
	Spring	0 PSI	195	138	167	87	94	65	73

Air Actuator

Actuator & Valve body combinations	Actuator Mode	Air pressure	Valve Size						
			3/4"	1"	1 1/2"	2"	2 1/2"	3"	4"
			PVE0	PVE0	PVE1	PVE1	PVE2	PVE2	PVE3
 NO	Air	5 Bar	13	6.5	7.5	4.5	5.2	4.5	5.0
	Air	72.5 PSI	188.5	94	109	65	75	65	73
 NO	Air	5 Bar	11.5	7.0	7.5	4.5	5.2	4.5	5.0
	Air	72.5 PSI	167	102	109	65	75	65	73
 NC	Air	5 Bar	15	9.5	7.5	4.5	5.2	4.5	5.0
	Air	72.5 PSI	217.5	138	109	65	75	65	73

Actuator & Valve body combinations	Actuator Mode	Air pressure	Valve Size						
			3/4"	1"	1 1/2"	2"	2 1/2"	3"	4"
			PVE0	PVE0	PVE1	PVE1	PVE2	PVE2	PVE3
 NO	Air	6 Bar	15	9.5	12	7	8.5	6.5	7.0
	Air	87 PSI	217.5	138	174	102	123	94	102
 NO	Air	6 Bar	12.5	10.0	12.0	7.0	8.5	6.5	7.0
	Air	87 PSI	181.5	145	174	102	123	94	102
 NC	Air	6 Bar	15	12.0	12.0	7.0	8.5	6.5	7.0
	Air	87 PSI	217.5	174	174	102	123	94	102

* Please see Installation and Service Manual

Warning: Depressurize before handling/maintenance

Relief Air Actuator

■ Media ■ Air

Actuator & Valve body combinations	Actuator Mode	Air pressure	Valve Size						
			¾"	1"	1½"	2"	2 ½"	3"	4"
			PVE0	PVE0	PVE1	PVE1	PVE2	PVE2	PVE3
	Spring	0 Bar	15	12.5	17.0	9.0	10.0	8.5	6.5
	Spring	0 PSI	217.5	181	247	131	145	123	94
	Spring	0 Bar	15	12.0	17.0	9.0	10.0	8.5	6.5
	Spring	0 PSI	217.5	174	247	131	145	123	94
	Spring	0 Bar	15	9.0	17.0	9.0	10.0	8.5	6.5
	Spring	0 PSI	217.5	131	247	131	145	123	94

Compress Air Actuator

Actuator & Valve body combinations	Actuator Mode	Air pressure	Valve Size						
			¾"	1"	1½"	2"	2 ½"	3"	4"
			PVE0	PVE0	PVE1	PVE1	PVE2	PVE2	PVE3
	Air	5 Bar	15	12.5	12.5	7.0	7.0	5.0	6.0
	Air	72.5 PSI	217.5	181	181	102	102	73	87
	Air	5 Bar	15	10.5	12.5	7.0	7.0	5.0	6.5
	Air	72.5 PSI	217.5	152	181	102	102	73	87
	Air	5 Bar	15	8.5	12.5	7.0	7.0	5.0	6.5
	Air	72.5 PSI	217.5	123	181	102	102	73	87
	Air	6 Bar	15	17.0	18	10	10.0	7.0	8.5
	Air	87 PSI	217.5	247	254	145	145	102	123
	Air	6 Bar	15	15.5	17.5	10.0	10.0	7.0	8.5
	Air	87 PSI	217.5	225	254	145	145	102	123
	Air	6 Bar	15	17.5	17.5	10.0	10.0	7.0	8.5
	Air	87 PSI	217.5	254	145	94	102	102	123

* Please see Installation and Service Manual

Warning: Depressurize before handling/maintenance

NEUMO EHRENBERG GROUP

GLOBAL LOCATIONS



NEUMO GmbH+Co. KG (D)
 Tel: +49 (0) 7043 36 0
 Fax: +49 (0) 7043 36 179
 E-Mail: info@neumo.de
 www.neumo.de
GERMANY



VNE Corporation
 Tel: +1 800 356 1111
 +1 608 756 4930
 Fax: +1 608 756 3643
 E-Mail: stainless@vnecorp.com
 www.vnestainless.com
U.S.A



EGMO Ltd.
 Tel: +972 (0) 4 9855 176
 +972 (0) 4 9855 111
 Fax: +972 (0) 4 9855 175
 E-Mail: salese@egmo.co.il
 www.egmo.co.il
ISRAEL



NEUMO-EGMO Spain S.L
 Tel: +34 977 524 914
 Fax: +34 977 524 898
 E-Mail: neumo-es@neumo-es.com
 www.neumo-es.com
SPAIN



HPT Inc.
 Tel: +845.452.1103
 +800.284.4478
 E-Mail: sales@hptinc.com
 http://www.hptinc.com/
U.S.A



Herrli AG
 Tel: +41 (0) 31 750 12 11
 Fax: +41 (0) 31 750 12 00
 E-Mail: info@herrli.net
 www.herrli.net
SWITZERLAND



Tel: +33 665 00 2201
 E-Mail: france@neumo-es.com
FRANCE



NEUMO Italy S.r.l.
 Tel: +39 0155821893
 E-Mail: sales@neumo.it
ITALY



NEUMO Turkey
 Tel: +90 (212) 875 01 41
 Fax: +90 (212) 875 23 13
 E-Mail: info@neumo.com.tr
 www.neumo.com.tr
TURKEY



NEUMO Budapest Kft
 Tel: +36 (1) 3174177
 +36 (1) 3185982
 Fax: +36 (1) 266 8765
 E-Mail: neumo@neumo.hu
 www.neumo.hu
HUNGARY



NEUMO Polska Sp. z.o.o
 Tel: +48 (0) 46 833 4306
 Fax: +48 (0) 46 832 5626
 E-Mail: neumo@neumo.pl
POLAND



NEUMO - VARGUS (Shanghai)
 Trading Co., Ltd
 Tel: +86 (21) 51688300
 Fax: +86 (21) 51688380
 E - Mail: info@neumo.com.cn
CHINA



NEUMO UK Ltd.
 Tel: +44 (0) 1952 583 999
 Fax: +44 (0) 1952 583 958
 E-Mail: stainless@neumo.co.uk
 www.neumo.co.uk
UNITED KINGDOM



NEUMO LLC
 Tel: +84 908475382
 E-Mail: Minh.Vietnam@neumo.de
 www.awh.eu
VIETNAM



EGMO Ireland
 Tel: +353 (0)21 4975540
 Cel: +353 (0)87 2330469
 E-Mail: dosullivan@flowsolutions.ie
 www.egmo.co.il
IRELAND



Damstahl a/s (Denmark)
 Tel: +45 (0) 8794 4000
 Fax: +45 (0) 8794 4150
 E-Mail: ds@damstahl.com
 www.damstahl.dk
DENMARK



AWH Armaturenwerke (D)
 Hötensleben GmbH
 Tel: +49 (0) 39405 92 0
 Fax: +49 (0) 39405 92 111
 E-Mail: info@awh.de
 www.awh.de



Damstahl a/s Oslo (N)
 Tel: +47 5615 1570
 Fax: +47 5615 1571
 E-Mail: dano@damstahl.com
 www.damstahl.no
NORWAY



Damstahl a/b (Sweden)
 Tel: +46 87 61 71 00
 Fax: +46 87 61 14 05
 www.damstahl.se
SWEDEN

Gebr. Rieger GmbH+Co. KG (D)
 Tel: +49 (0) 7361 5702 0
 Fax: +49 (0) 7361 5702 51
 E-Mail: info@rr-rieger.de
 www.rr-rieger.de
GERMANY



EGMO
 Catalogs to download
 Scan for detail
 product info



VNE
 valves products
 Scan for detail
 product info



Semiconductor



Bio-Pharm



Hygienic